



GLETSCHERWASSER

280MM AIO Liquid Cooler with ARGB

CAUTION:

PLEASE READ THE SAFETY INSTRUCTIONS ON OUR WEBSITE BEFORE YOU INSTALL THE PRODUCT

1. ALL SPECIFICATIONS SUBJECT TO CHANGE WITHOUT NOTICE.
2. UNDER NO CONDITION SHALL ALPENFÖHN BE LIABLE FOR ANY INDIRECT, INCIDENTAL OR CONSEQUENTIAL DAMAGES ARISING FROM ANY DEFECT OR ERROR IN THIS MANUAL OR PRODUCT.
3. PLEASE ASK FOR PROFESSIONAL HELP IF YOU ARE NOT SURE OF SAFE INSTALLATION.

WWW.ALPENFOEHN.DE

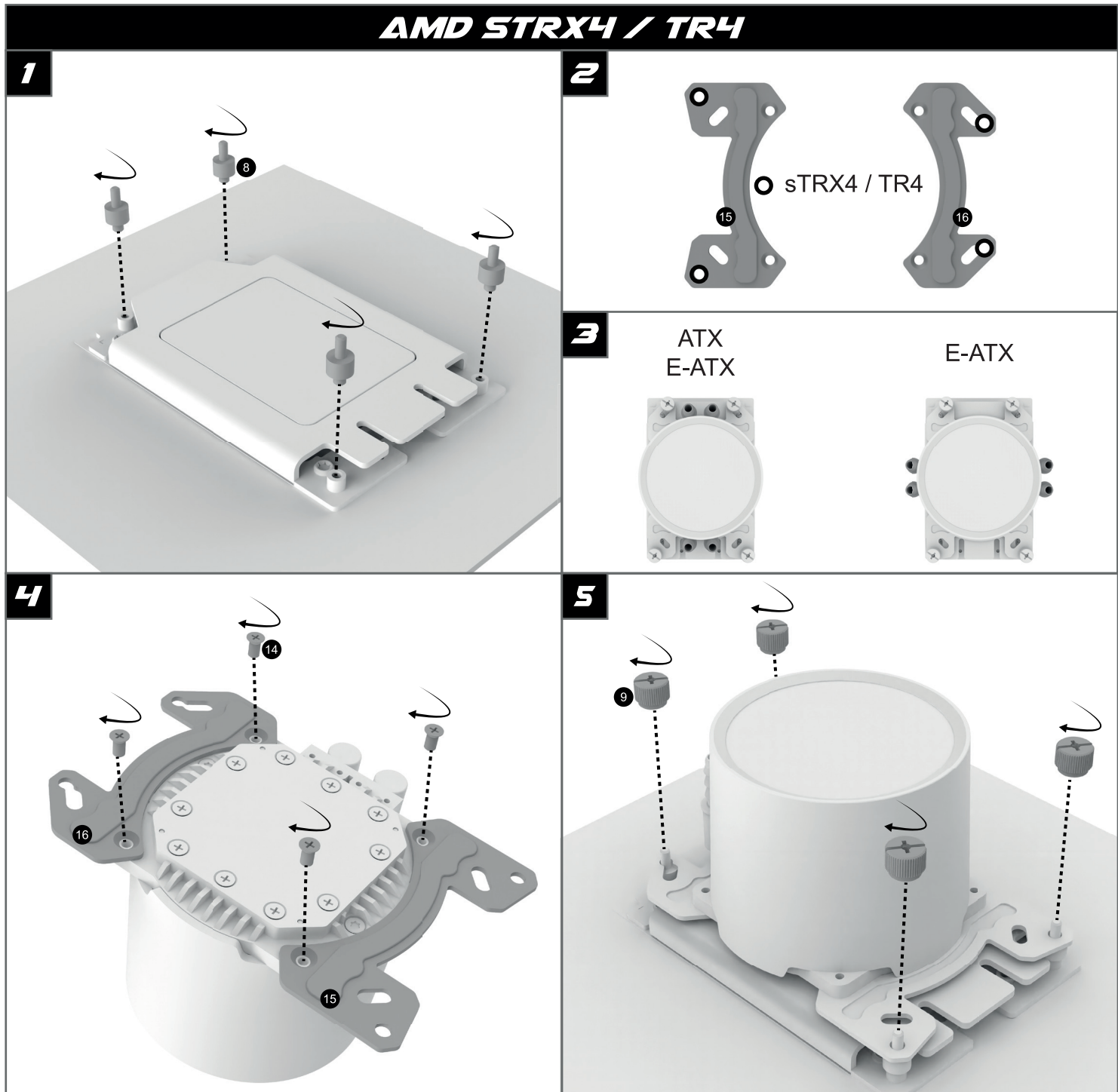
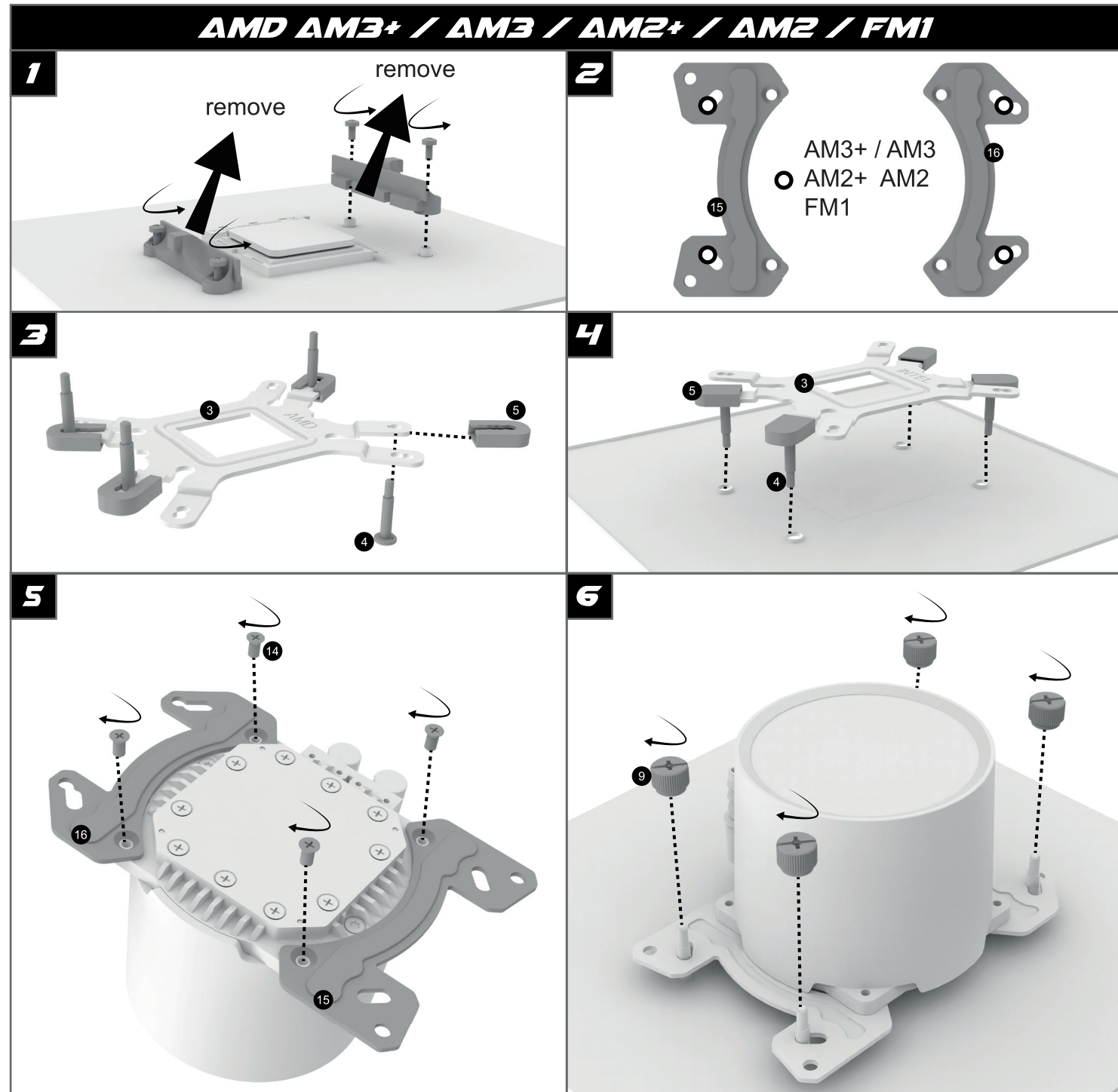
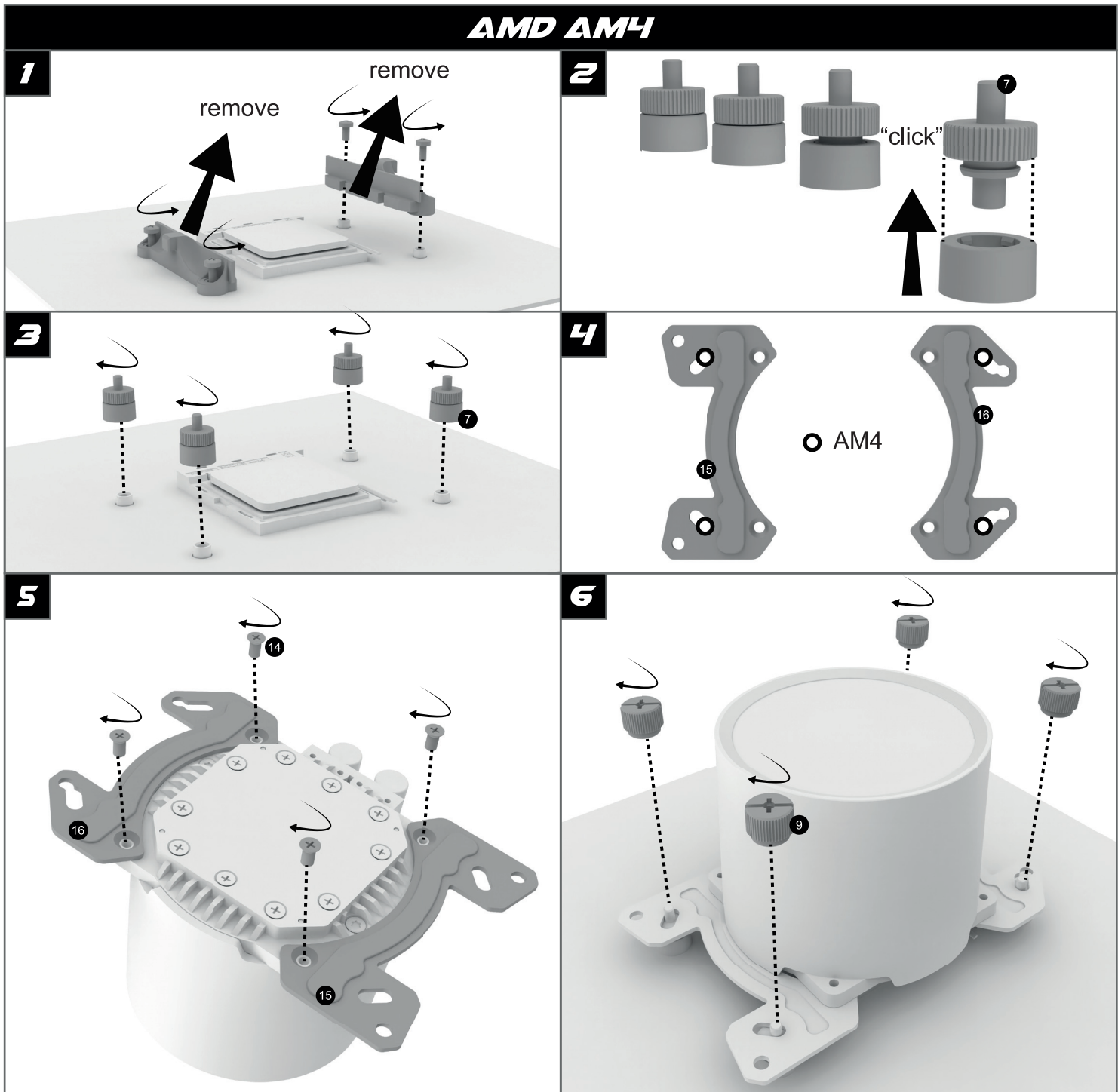
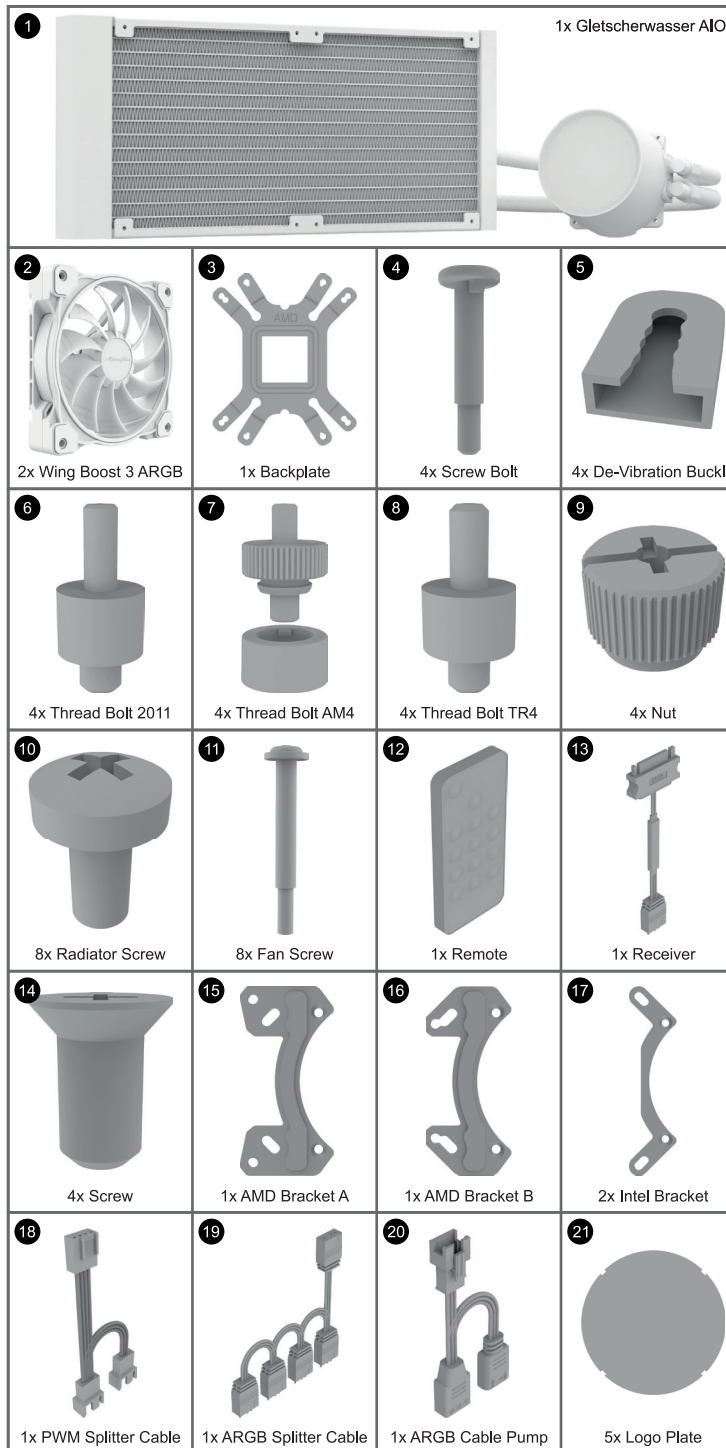
Instructions according to § 18 Batteriegesetz (BattG)

Since our products may contain batteries and rechargeable batteries, we are obliged by the Batteriegesetz (BattG) to inform you of the following: Batteries and rechargeable batteries must not be disposed of with household waste, but you are legally obliged to return used batteries and rechargeable batteries so that professional disposal can be guaranteed. Used batteries may contain harmful substances which, if not properly stored or disposed of, could damage the environment or your health. But batteries also contain important raw materials such as iron, zinc, manganese or nickel and can be recycled. You can return used batteries at a municipal collection point or at the local retailer free of charge. We are also obliged as a distributor of batteries for the return of waste batteries, with our obligation to take back old batteries of the kind that we have as new batteries in our range or have led. Old batteries of the aforementioned kind can therefore also be left free of charge at our business location or sent to us.

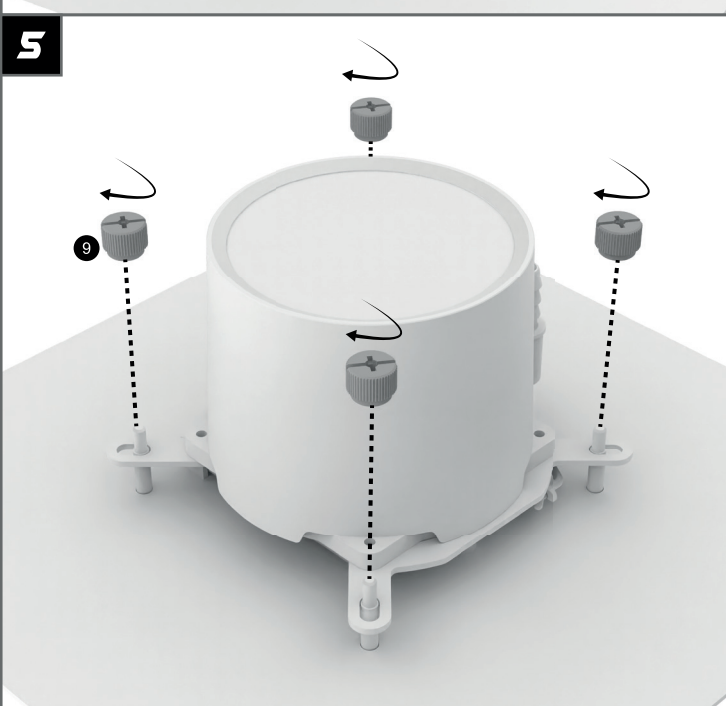
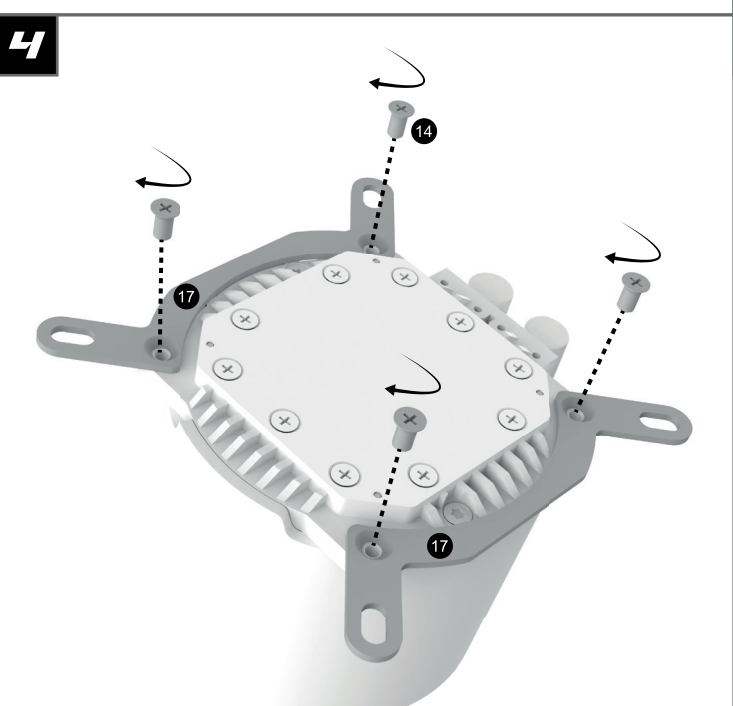
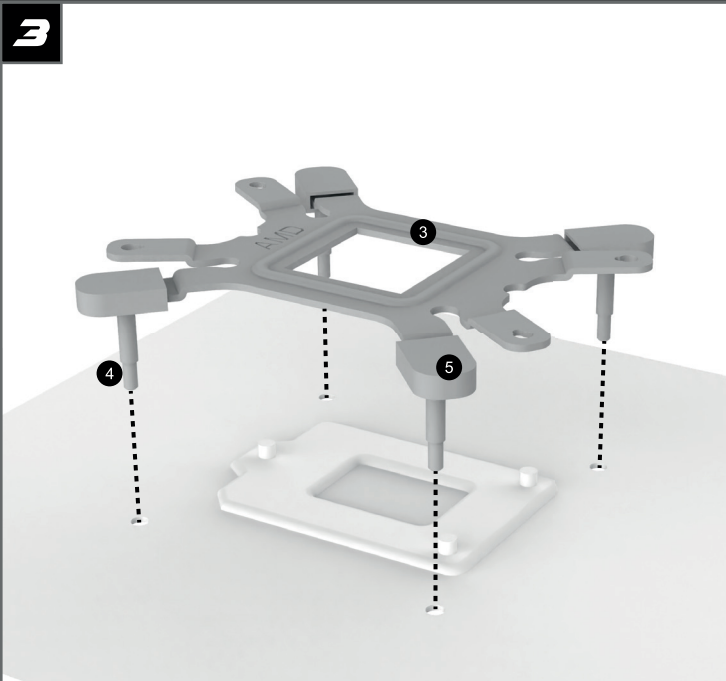
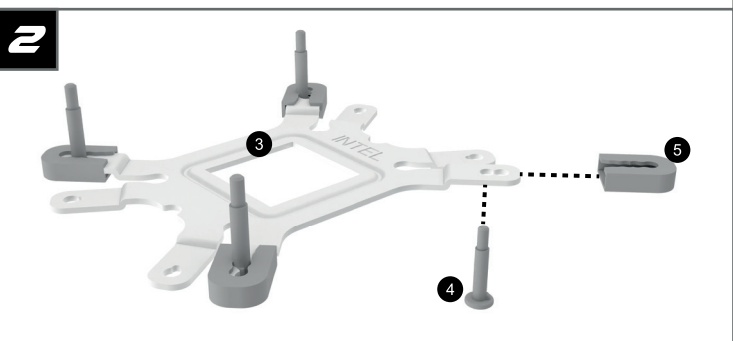
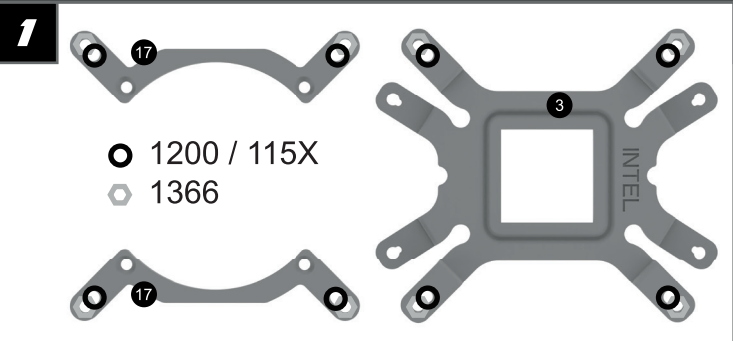
Our address is: EKL AG, Nadlerstraße 8-10, 88299 Leutkirch, Germany

At the same address you can also return the old batteries and accumulators mentioned during the opening hours (Monday to Friday 8 am to 4 pm).

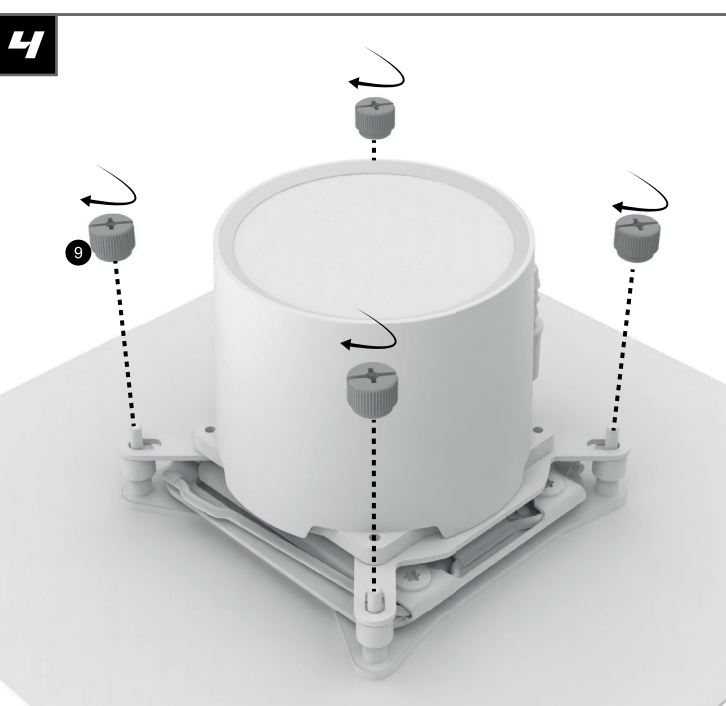
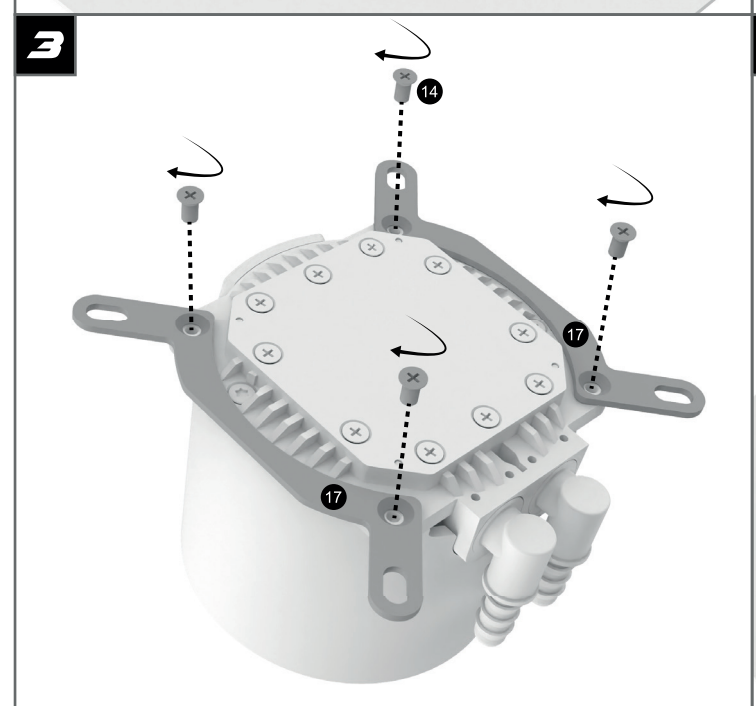
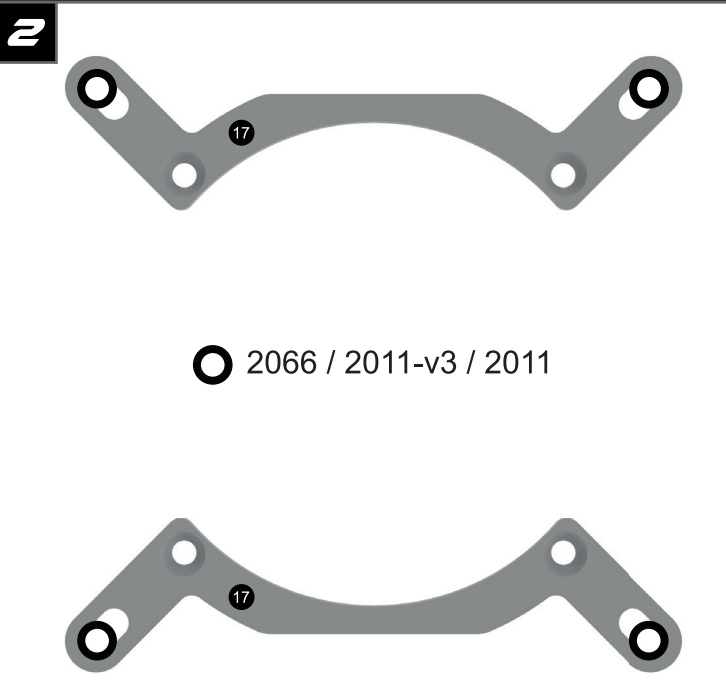
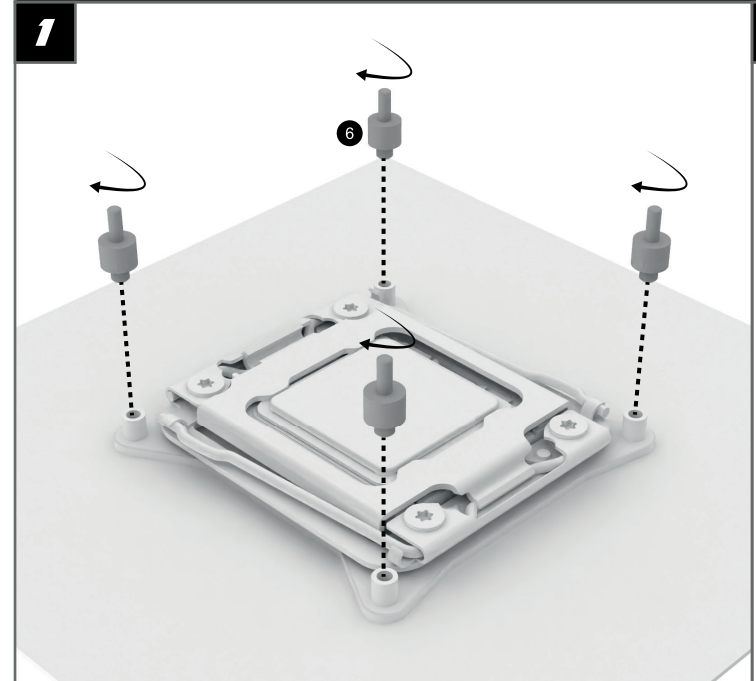
Batteries are marked with the symbol of a crossed out trashcan. This symbol indicates that batteries should not be disposed of with household waste. Batteries which exceed the statutory limit values pursuant to § 17 (3) BattG and contain more than 0.0005% by mass of mercury, more than 0.002% by mass of cadmium or more than 0.004% by mass of lead also contain the chemical names of the respective metals - „Hg“ for mercury, „Cd“ for cadmium and „Pb“ stands for lead.



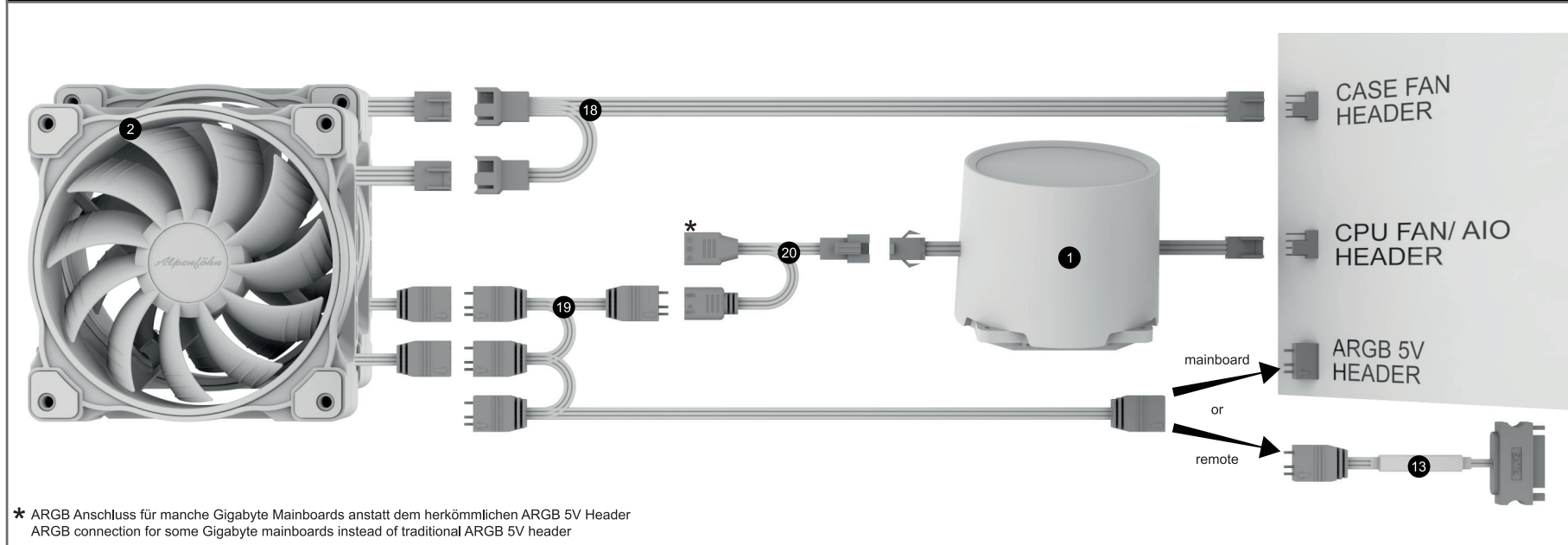
INTEL LGA 1200 / 1150 / 1151 / 1155 / 1156 / 1366



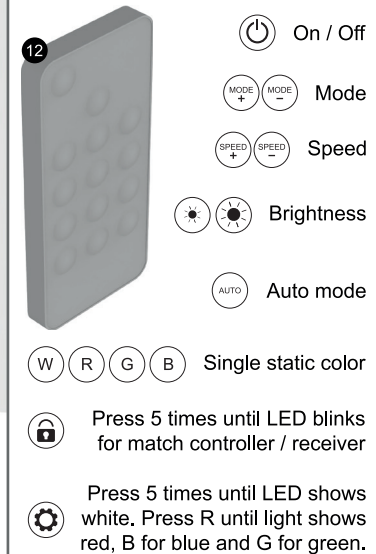
INTEL LGA 2066 / 2011-V3 / 2011



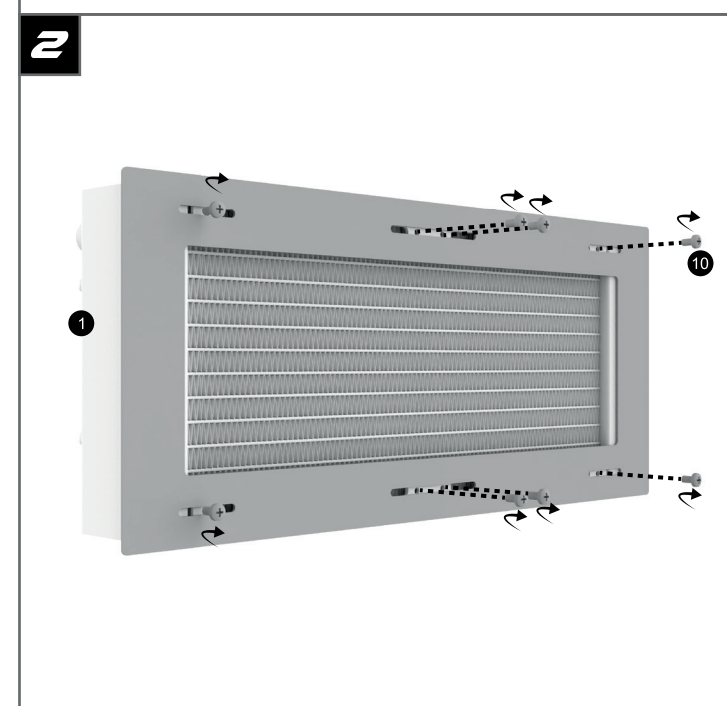
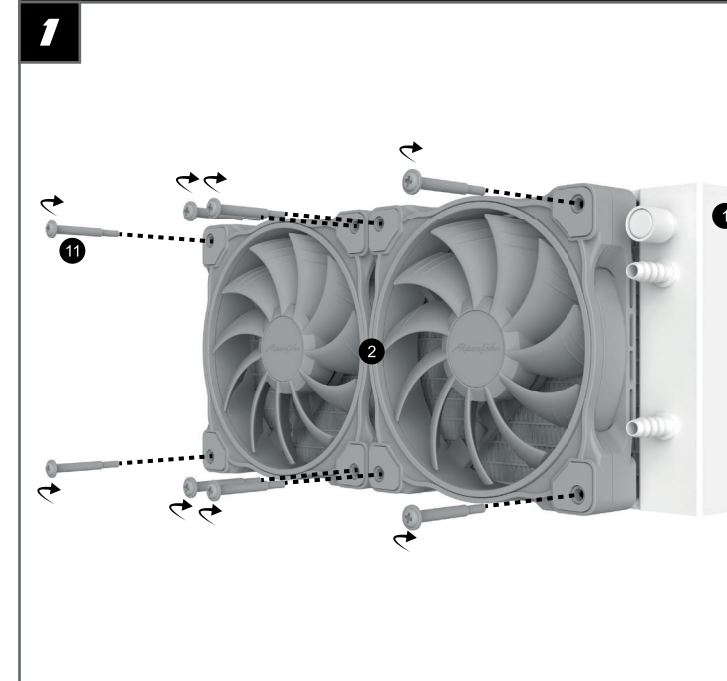
ARGB + FAN CONNECTION



REMOTE



RADIATOR



SWAP LOGO

