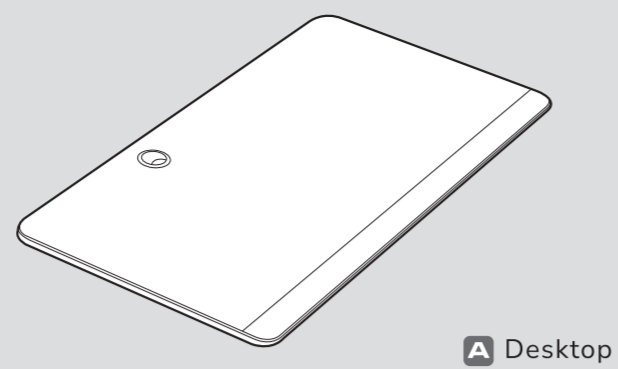


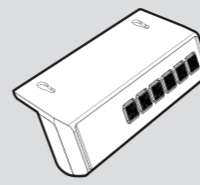
**COUGAR**  
MADE FOR CREATORS

**PACKAGE CONTENTS**  
CARTON #1

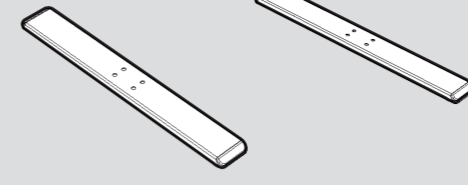


**A** Desktop

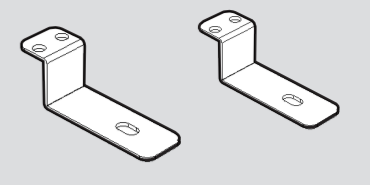
CARTON #2



**B** Lifting Controller with Cables

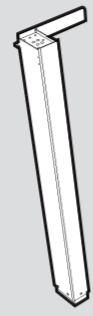


**C** Column Feet

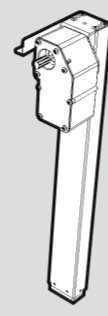


**D** Holders for Rod Cover

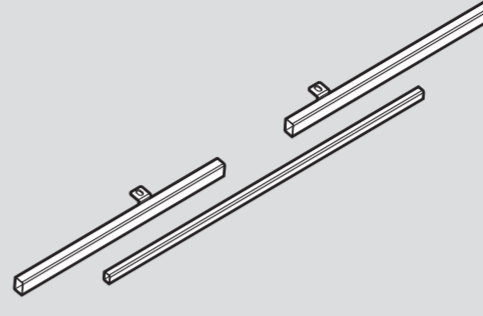
CARTON #2



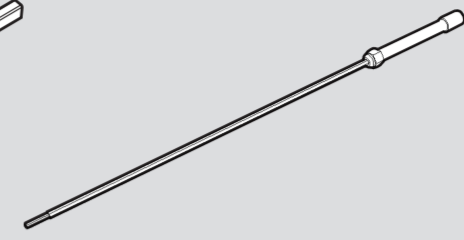
**E** Left Lifting Column



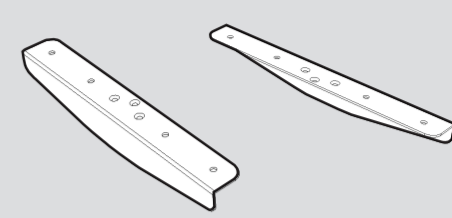
**F** Right Lifting Column with Motor



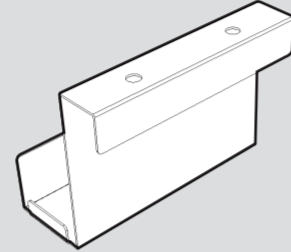
**G** Main Beam



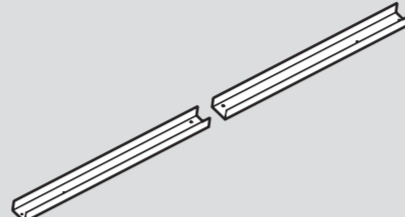
**H** Drive Rod



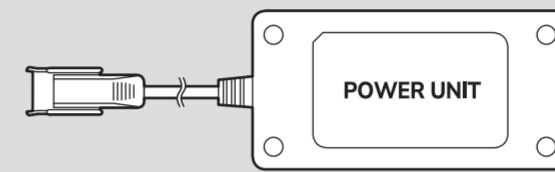
**I** L-shape Supports



**J** Bracket for Power Unit



**K** Cover of Drive Rod



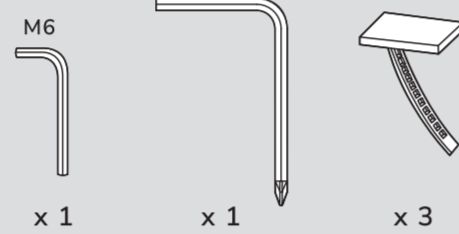
**L** Power Unit



**M** Power Cord

**ACCESSORY KIT**  
CARTON #2

Bag #1 Tools

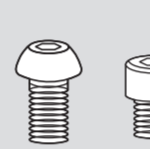


x 1

x 1

x 3

Bag #2



x 14

x 4

Bag #3



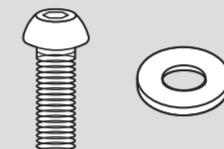
x 2

Bag #4



x 6

Bag #5



x 6

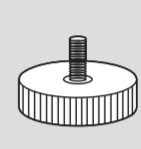
x 6

Bag #6



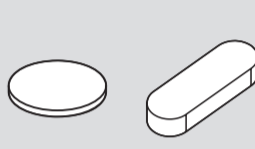
x 8

Bag #7



x 4

Bag #8



x 4

x 1

**SPECIFICATIONS**

<b>Product Name</b>	ROYAL MOSSA 150
<b>Preassembled Desk Frame</b>	2 stage columns and single motor desk frame
<b>Desk Dimension (W x D x Thickness)</b>	59 X 24 (in) : 1500 x 600 (mm)
<b>Height range (with desktop)</b>	28 - 45 (in) ; 720-1150 (mm)
<b>Travel Speed</b>	1 (in /sec) ; 25 (mm /sec)
<b>Lifting Capacity</b>	176 (lb) ; 80 (kg)
<b>Noise level</b>	≤ 50 decibels during motion
<b>Input</b>	100-240V AC, 50/60Hz

**ДАТА ИЗГОТОВЛЕНИЯ ПРОДУКЦИИ**

год и месяц изготовления продукции указаны в серийном номере продукта. (существует 2 способа определения даты изготовления, оба способа описаны ниже)

**A** После S/N: первые две цифры означают год, вторые две – месяц изготовления. Например, S/N: H1702000001 означает, что товар был произведен в феврале 2017 года.

**B** После S/N: если указаны буквы, то две буквы представляют цифры из таблицы ниже, и означают год, следующие две цифры – месяц изготовления. Например, S/N: DA602REV1000001 означает, что товар был произведен в феврале 2017 года.

**БЪЛГАРИЯ**  
• Подробни инструкции за употреба изтърнете от: <https://cougargaming.com/bg>  
Български QR код

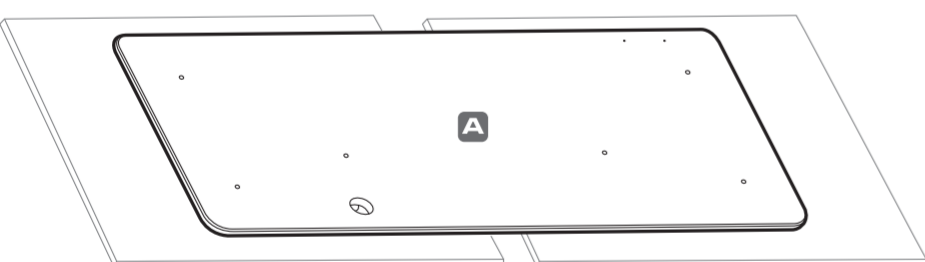
A	B	C	D	E	F	G	H	I	J
1	2	3	4	5	6	7	8	9	0

• Например, AG = 17 = 2017 год

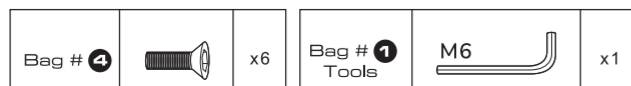
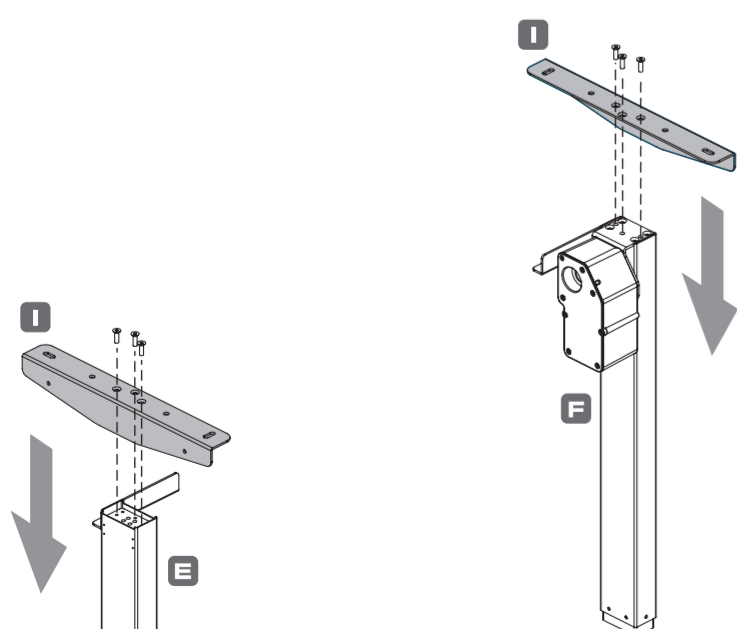


**1** Place the "Desktop" underside up for all the following assemblies.

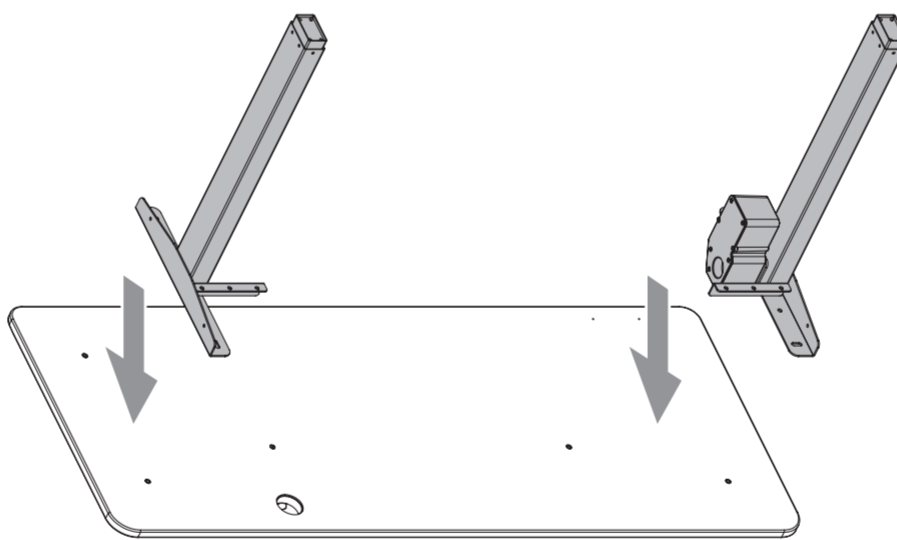
Put the cardboards in Carton#1 under the desktop on the ground to avoid any scratch of the surfaces.



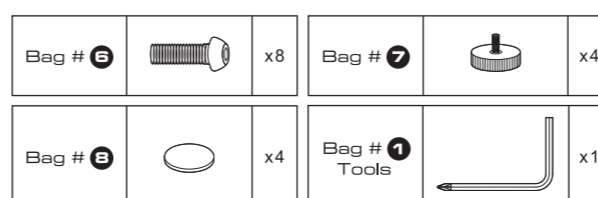
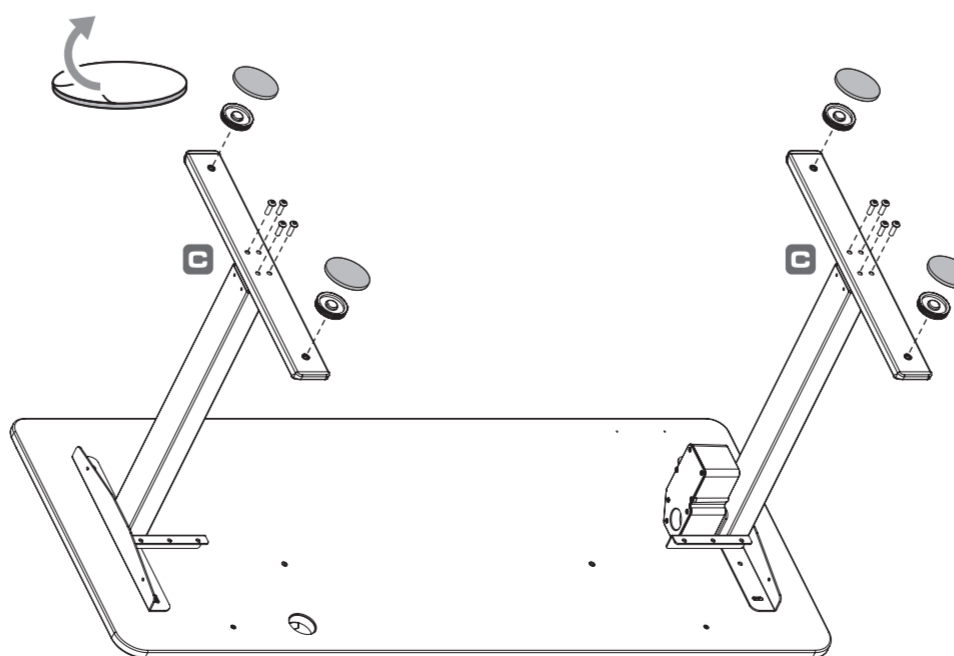
**2** Install the "L-shape Supports" on both "Left Lifting Column" and "Right Lifting Column with Motor".



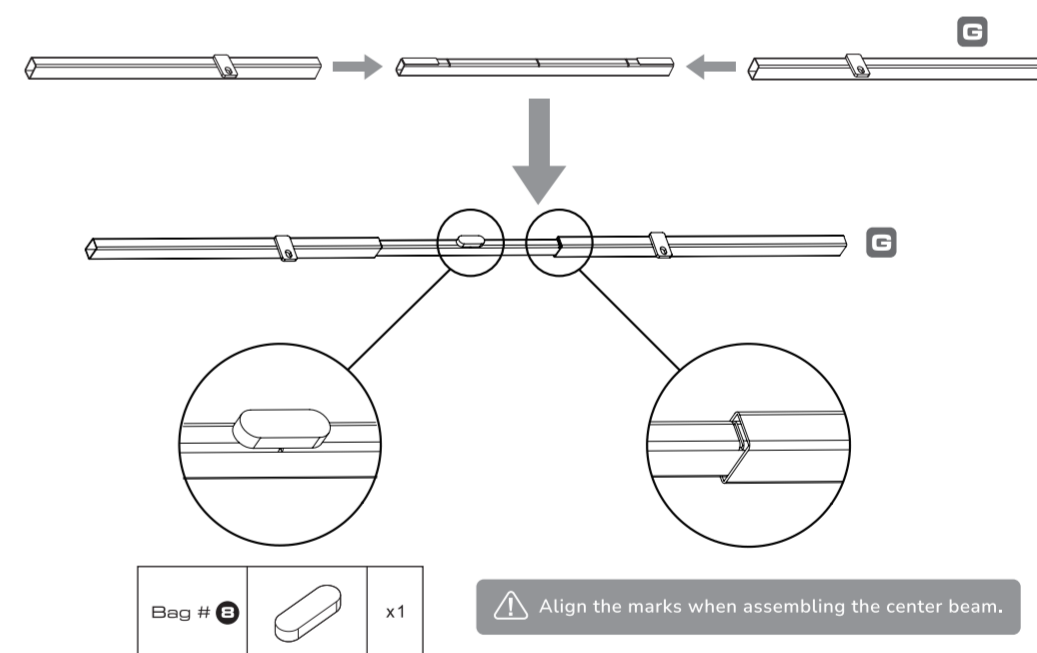
**3** Place the columns on the both sides of desktop. No need to fasten as this has to be done after all parts are aligned.



**4** Screw the "Column Feet" and install the foot pads.

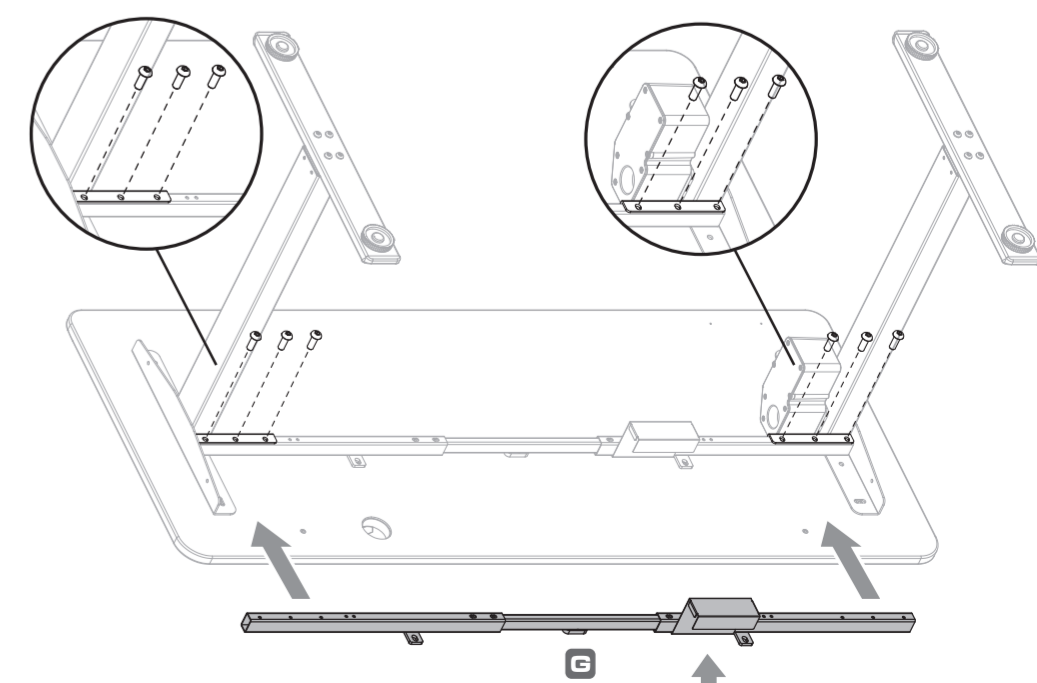


**5** Assemble the "Main Beam" and paste the "Buffer Pad" on the center beam.



Align the marks when assembling the center beam.

**6** Place the "Bracket for Power Unit" and screw the "Main Beam" on both columns.



**FEATURES**

- Electric Height Adjustment
- Premium and Ergonomic Desktop
- Grommet Design for Wire Organization
- LCD Height Display Controller
- 4 Programmable Memory Settings
- Panel Lock for Avoiding Risk
- Stable and Reliable Lifting System
- Shields for Transmission Shaft and Motor

**DEUTSCH**

- Elektrische Höhenverstellung
- Hochwertige und ergonomische Tischplatte
- Tüllen für die Organisation von elektrischen Kabeln
- Steuerung der LCD-Höhenanzeige
- 4 Speichereinstellungen
- Verriegelung des Bedienfelds zum Schutz vor versehentlichem Kontakt
- Stabiles und zuverlässiges Hebesystem
- Schutzvorrichtungen für Antriebswelle und Motor

**ESPAÑOL**

- Regulación eléctrica de la altura
- Tablero premium y ergonómico
- Diseño de ojiv para organizar los cables eléctricos
- Controlador de la pantalla de altura LCD
- 4 ajustes de memoria
- Bloqueo del panel para evitar el contacto involuntario
- Sistema de elevación estable y fiable
- Eje de transmisión y protectores del motor

**FRANÇAIS**

- Réglage électrique de la hauteur
- Plateau de table premium et ergonomique
- Conception des passe-fils pour l'organisation des câbles électriques
- Contrôleur d'affichage de hauteur LCD
- 4 réglages de la mémoire
- Verrouillage du panneau pour éviter tout contact involontaire
- Système de levage stable et fiable
- Protections de l'arbre d'entraînement et du moteur

**PORTUGUÊS**

- Ajuste de altura eléctrico
- Tampo de mesa Premium e ergonómico
- Desenho de grânulos para organização de cabos eléctricos
- Controlador de ecrã LCD em altura
- 4 configurações de memória
- Bloqueio de painel para evitar contacto inadvertido
- Sistema de elevação estável e fiável
- Eixo de transmissão e proteções do motor

**한국어**

- 전동 높이 조절
- 프리미엄 안체공학적 데스크탑
- 전선 정리를 위한 단추구멍 디자인
- LCD 높이 디스플레이 컨트롤러
- 4개의 메모리 설정 그룹
- 우발적인 터치를 방지하기 위한 패널 잠금
- 안정적인 리프팅 시스템
- 구동축 및 모터 가드

**日本語**

- 電動高さ調節機能
- プレミアムで人間工学に基づいたデスクトップ
- ワイヤ整理のためのボタン設計
- 液晶高さ表示コントローラ
- 4つのプログラマブルメモリ設定
- 不用意な接触を防ぐパネルロック
- 安定した信頼性の高い昇降システム
- トランスミッションシャフトとモーターのシールド

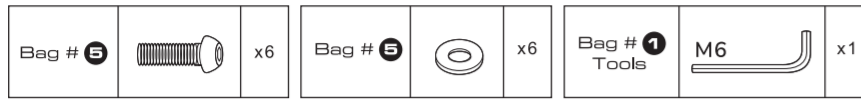
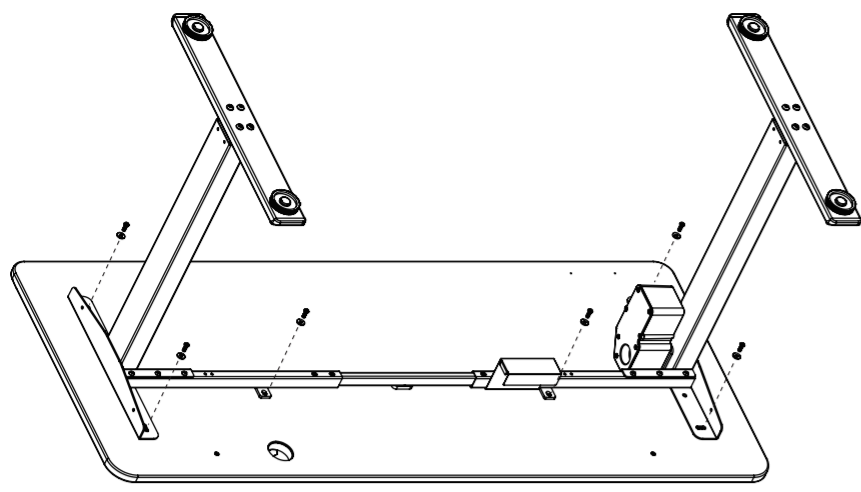
**簡中**

- 电动桌面高度调节
- 高级和符合人体工程学的桌面设计
- 桌面出线孔设计便于理线
- LCD高度显示控制器
- 4组高度记忆设置
- 面板锁定避免误触
- 稳定可靠的升降系统
- 传动轴及马达防护罩

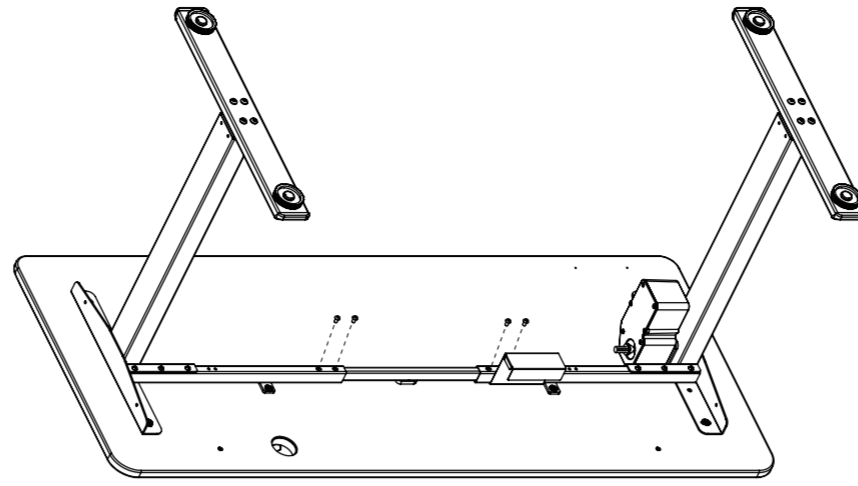
**繁中**

- 電動桌面高度調節
- 高級和符合人體工程學的桌面設計
- 桌面出线孔設計簡於理線
- LCD高度顯示控制器
- 4組高度記憶設置
- 面板鎖定避免誤觸
- 穩定可靠的升降系統
- 傳動軸及馬達防護罩

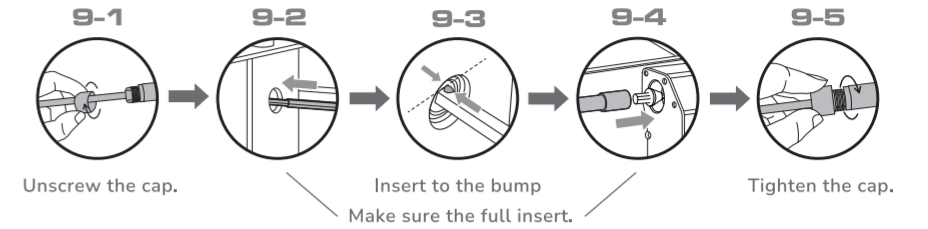
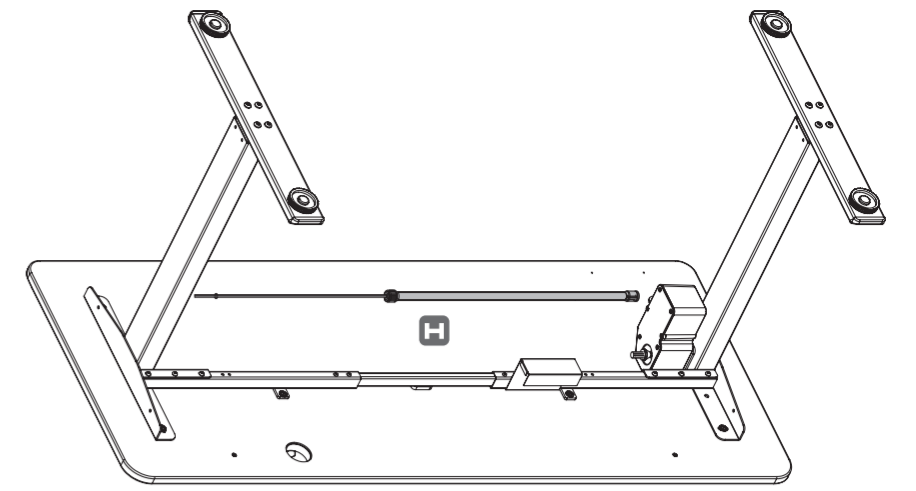
**7** Screw the columns and main beam into "Desktop" after all holes are aligned.



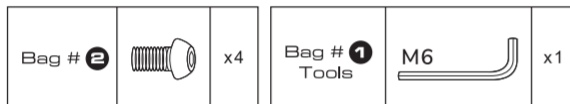
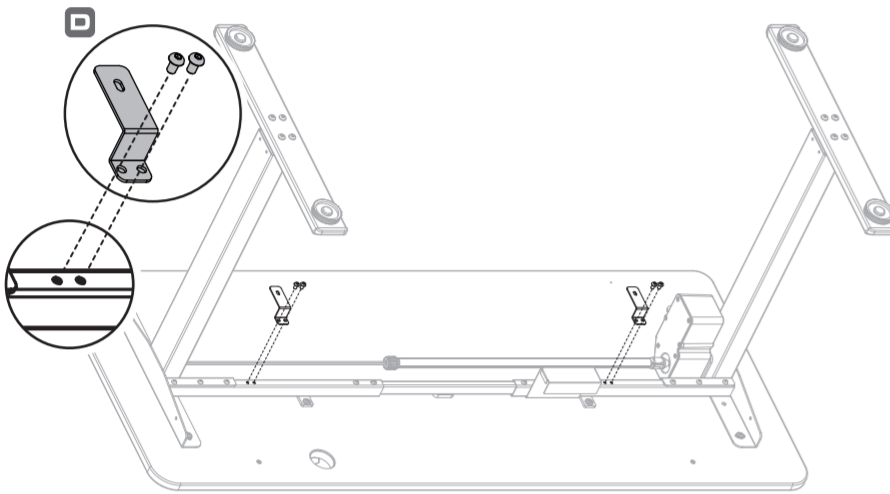
**8** Screw the "Main Beam".



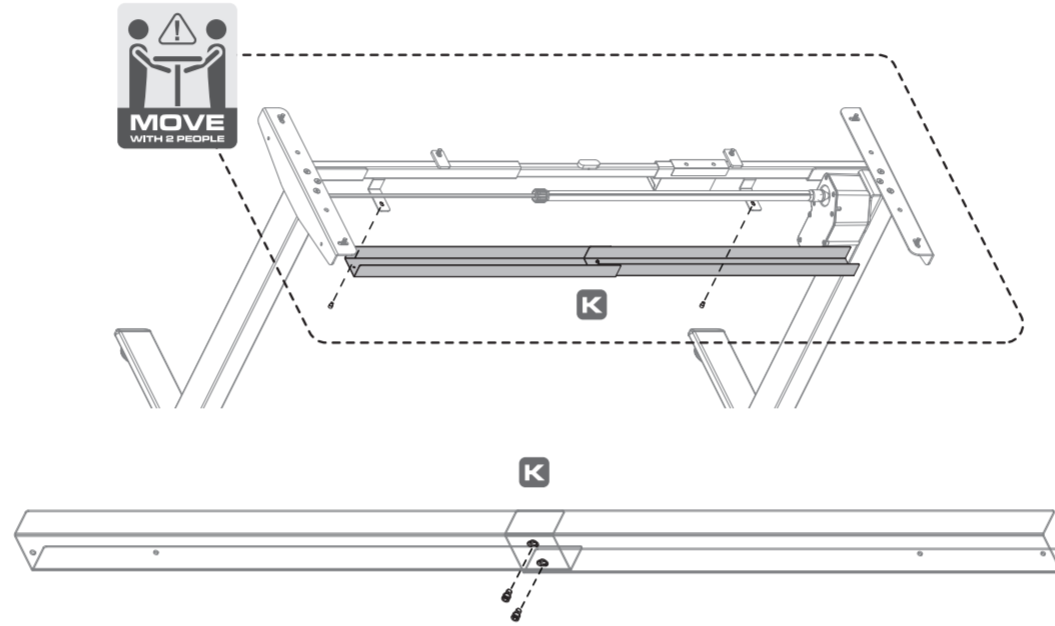
**9** Insert the "Drive Rod".



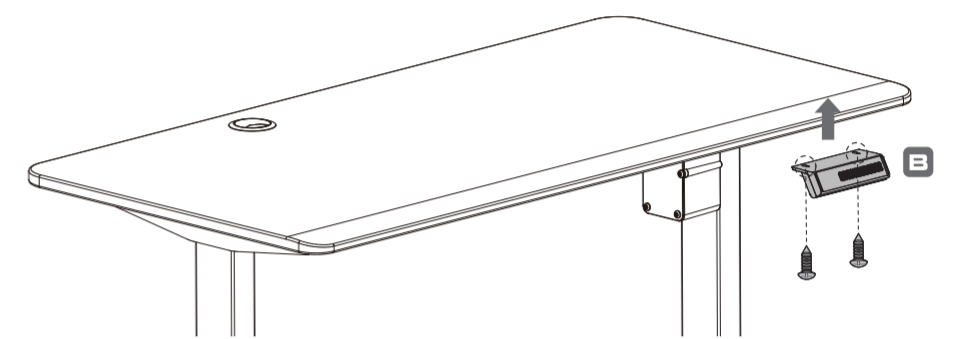
**10** Install the "Holders for Rod Cover".



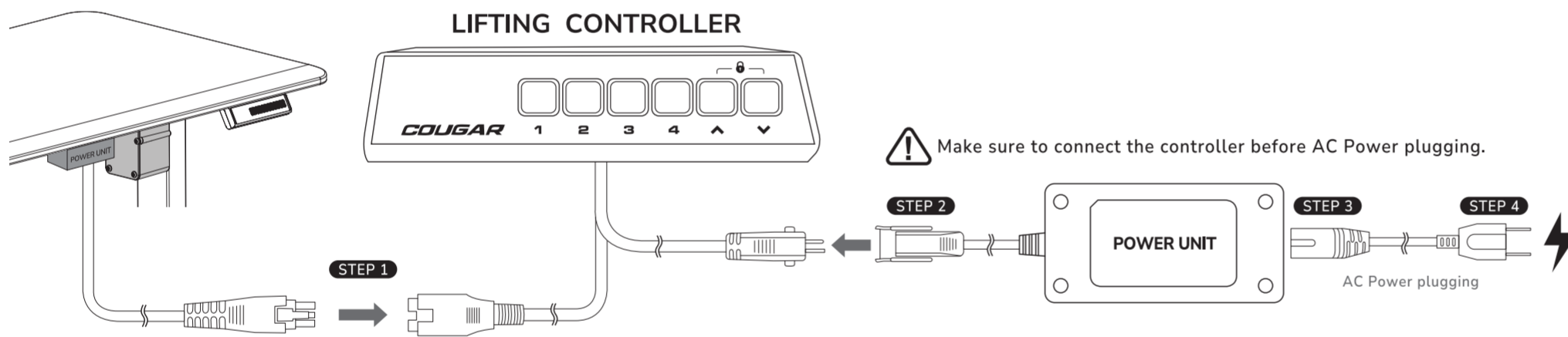
**11** Stand the Desk right up. Install the "Cover of Drive Rod" and screw with the "Holders for Rod Cover".



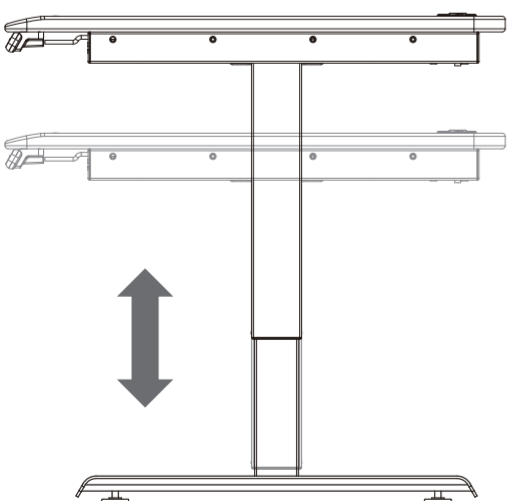
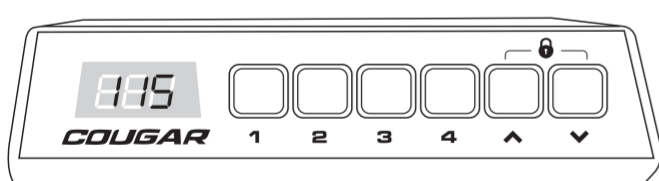
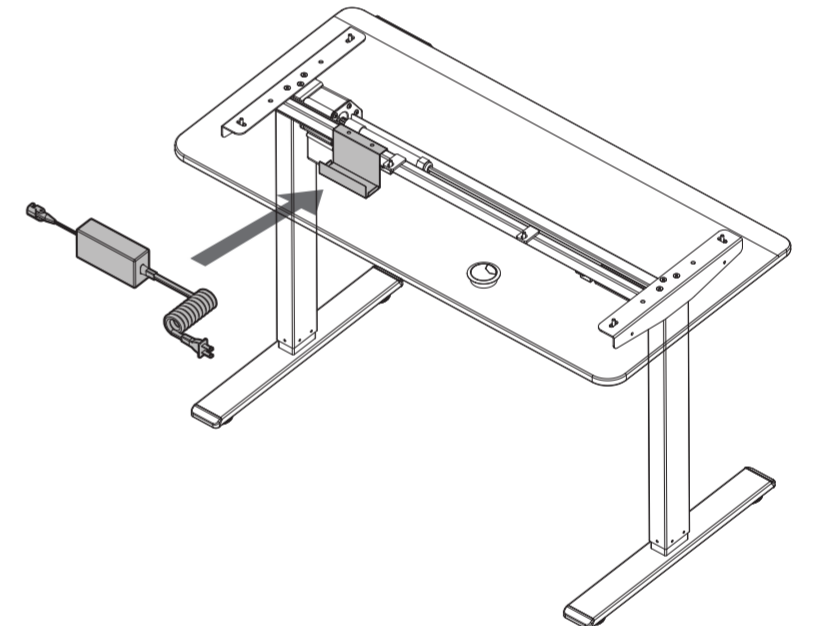
**12** Install the "Lifting Controller".



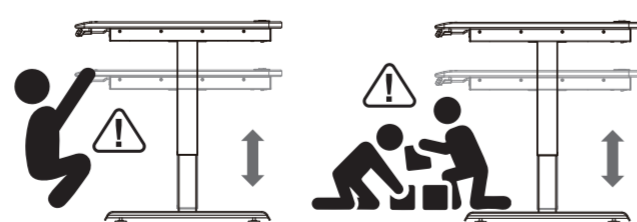
## 13 HOW TO CONNECT



**14** Locate the Power Unit into the Bracket after connecting.



FUNCTION & TROUBLESHOOTING	DISPLAY	INSTRUCTION
Reset the Lifting System	888	Press "▼" to the lowest height. Then release the button and press "▼" for 5 seconds, it will show "rSt" and press "▼" again. It will display the lowest height to complete the reset.
Lock the Height Adjustment	000	Press "▲" and "▼" simultaneously for 5 seconds.
Unlock the Height Adjustment	000	Press "▲" and "▼" simultaneously for 5 seconds again.
Height Memory	588	Firstly, press "▲" or "▼" to adjust the height. While the height is as expected, press the "number" button for 3 seconds to memorize the height with the corresponding button.
Overheat Protection	888	While the lifting unit is over-loading, the height adjustment will automatically inoperable for protection, please wait for 15-20 minutes.
Temporary Malfunction	888	1. Follow the "rSt" procedure. Press "▼" to the lowest height. Then release the button and press "▼" for 5 seconds, it will show "rSt" and press "▼" again. It will display the lowest height to complete the reset. If the issue remains, follow the next step. 2. Unplug the AC plug. Check every connection followed by the manual and examine the connectors. 3. Re-connect the AC and Reset the desk. If the malfunction issue remains, please contact the distributor for after-service. Do not fix or open the system by yourself.



### CAUTION

Make sure no obstacles are in the desk's path. It is highly suggested to avoid the human underneath as the height movement. The physical injuries from height adjustment are excluded from the after-service.

### GLOBAL WARRANTY POLICY

#### WARRANTY PERIODS OF COUGAR GAMING DEVICES

Product : ROYAL MOSSA 150 Electric Standing Desk  
Warranty : 2-Year (For electric parts) / 5-year (For lifting column)  
This warranty gives you specific legal rights. You may also have other rights granted under local law. These rights may vary.

#### WARRANTY AGREEMENT

• If the product has defects in material or manufacture, COUGAR will provide product repair and replacement service within the warranty period.  
• Our warranty service is based on the date of the invoice or warranty card.

#### CONDITIONS WHERE FREE MAINTENANCE IS NOT PROVIDED

- Any fault or damage caused by natural disasters (including storm, fire, flood, thunder, earthquake, etc).
- Any fault or damage caused by accidental factors and man-made reasons (including hit, scrape, crash, moving, compression, stain, corrosion, riot, misuse, malicious damage, etc).
- Use in an improper operating environment (including high temperature, high humidity, water inflow, etc).
- Inability to provide the product warranty card, purchase receipt or invoice to prove the product is still within the warranty period and the shipping date of the product is out of warranty.
- The warranty card has been altered or its number is hard to identify.
- The warranty period has expired.
- Any fault or damage caused by non-compliance with regulations stated on the user manual or improper, rough and careless treatment.
- Any fault or damage caused by use of parts not certified by COUGAR original manufacturer.
- The problem is caused by improper repair or adjustment by the buyer or any manufacturer without authorization from COUGAR.
- The product is not acquired from an authorized distributor of the company or is acquired from illicit sources.
- Paper carton, instruction and other accessories are not warranted.

#### DISCLAIMERS

- COUGAR products should not be used as critical components in life support devices.
- COUGAR is not liable for any damage of life and limb or damage or loss of property caused by or during COUGAR products' use as or with medical equipment, military equipment, traffic equipment and disaster prevention systems.
- COUGAR's warranty liability is limited to repair or replacement. The decision on whether to repair or replace belongs exclusively to COUGAR.
- COUGAR is, to the extent not prohibited by law, not liable for any damages; expenses; lost data, revenues, savings or profits; or any incidental or consequential damages happened while the use of a defective product from COUGAR or due to its use.

#### WARNING

- Please wear protective gloves when assembling the Desk. It is your own responsibility to use appropriate protection to prevent any physical damage.
- Do not use abrasive products or scrub energetically when cleaning. Please stick to gentle products suitable for delicate materials.
- All parts should be checked monthly to confirm their integrity and to make sure that the screws are not loose.
- If any part of the product is or appears to be damaged, missing or loose, please contact the local distributor and do not use the product. WARNING

#### LEGAL NOTICES

This manual was created by Compucase Enterprise and may not be completely or partially copied, passed on, distributed or stored without written consent by Compucase Enterprise. COUGAR® is a registered brand of Compucase Enterprise. Other product and company names mentioned in this documentation may be brands or trademarks of their respective owners. Compucase Enterprise reserves the right to make changes concerning the contents of the manual and the technical data of the product without previous announcement.

#### MANUFACTURER CONTACT

LOYALTY FOUNDER ENTERPRISE CO., LTD.  
TEL:+886-3-3269123  
Service email : <https://cougargaming.com/support/contact/upload/>  
Made in China

**COUGAR**  
MADE FOR CREATORS

[www.cougargaming.com](http://www.cougargaming.com)

FC CE  
Made in China