

展開尺寸Actual: W: 594mm x H: 420mm (A2)

摺疊尺寸Folded: W: 198mm x H: 140mm







Front



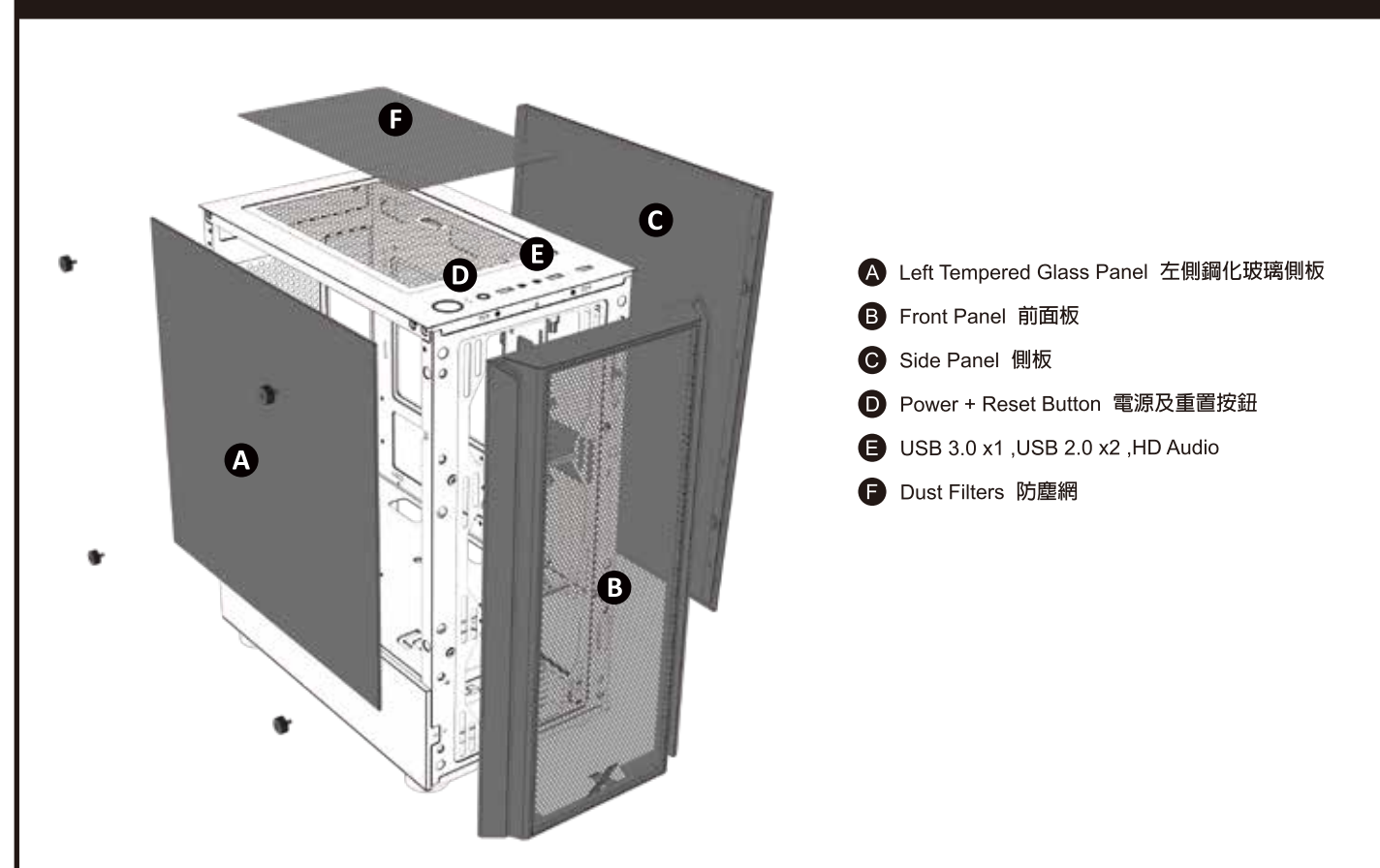
NYX AIR SERIES

www.xigmatek.com

Accessory Pack Contents

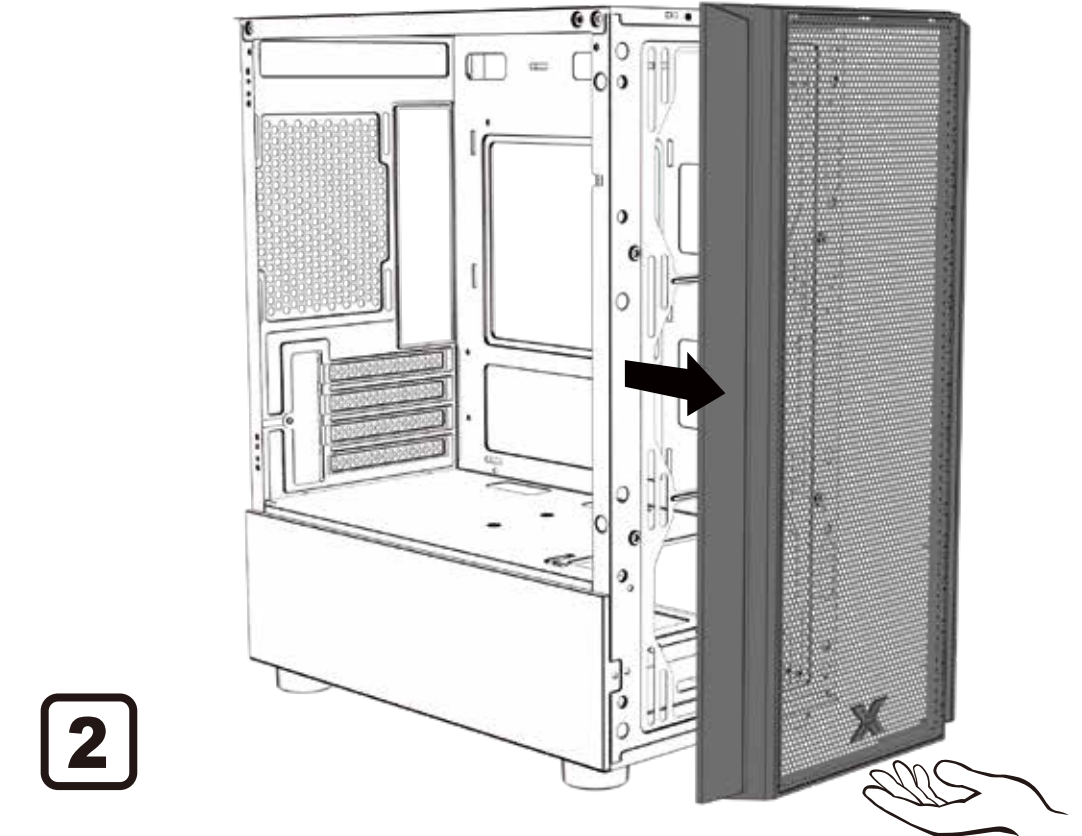
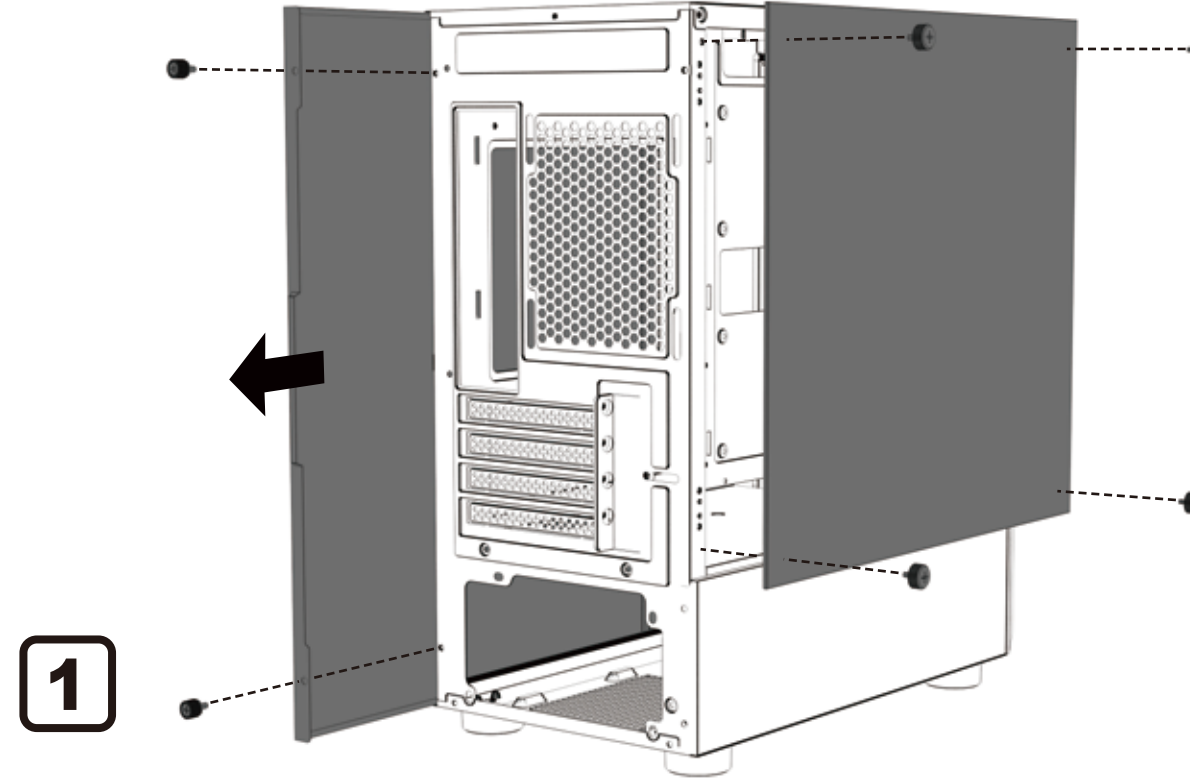
 <p>X 19 主機板螺絲+2.5吋硬碟螺絲 Motherboard Screw +2.5" Drive Screw</p>	 <p>X 6 電源螺絲 Power Supply Screw</p>	 <p>X 4 3.5吋硬碟螺絲 3.5" Drive Screw</p>
 <p>X 3 主機板銅柱 Motherboard Stand-off</p>	 <p>X 2 3.5" HDD 手轉螺絲 (HDD架右側) 3.5" HDD Thumb Screws (HDD Cage Right Side)</p>	 <p>X 1 3.5" HDD 台階螺絲 (HDD架左側) 3.5" HDD Stepped Screws (HDD Cage Left Side)</p>

Case Features



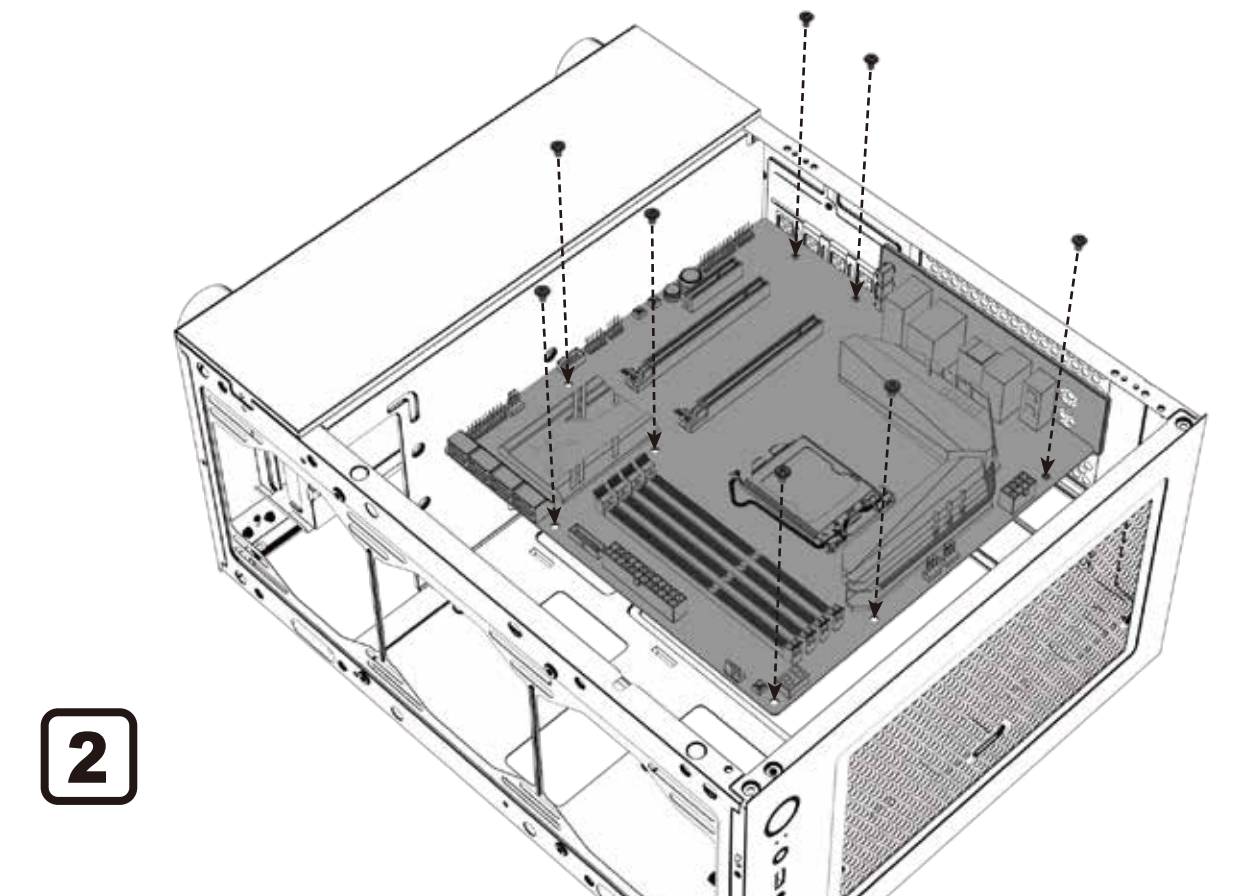
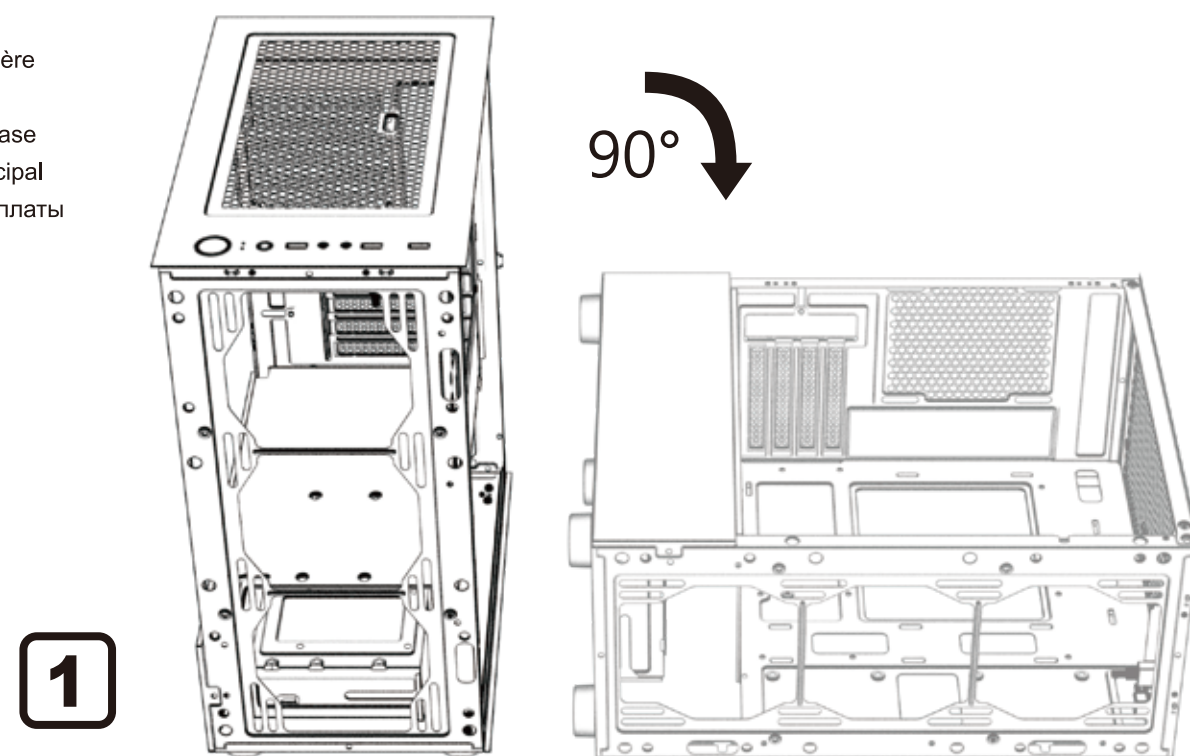
1 Removal of Panels

- ▶ Removal of Panels
- ▶ Dépose des panneaux
- ▶ Blenden entfernen
- ▶ Extraer los paneles
- ▶ Remoção dos painéis
- ▶ Снятие панелей
- ▶ 卸除側板
- ▶ パネルの取り外し



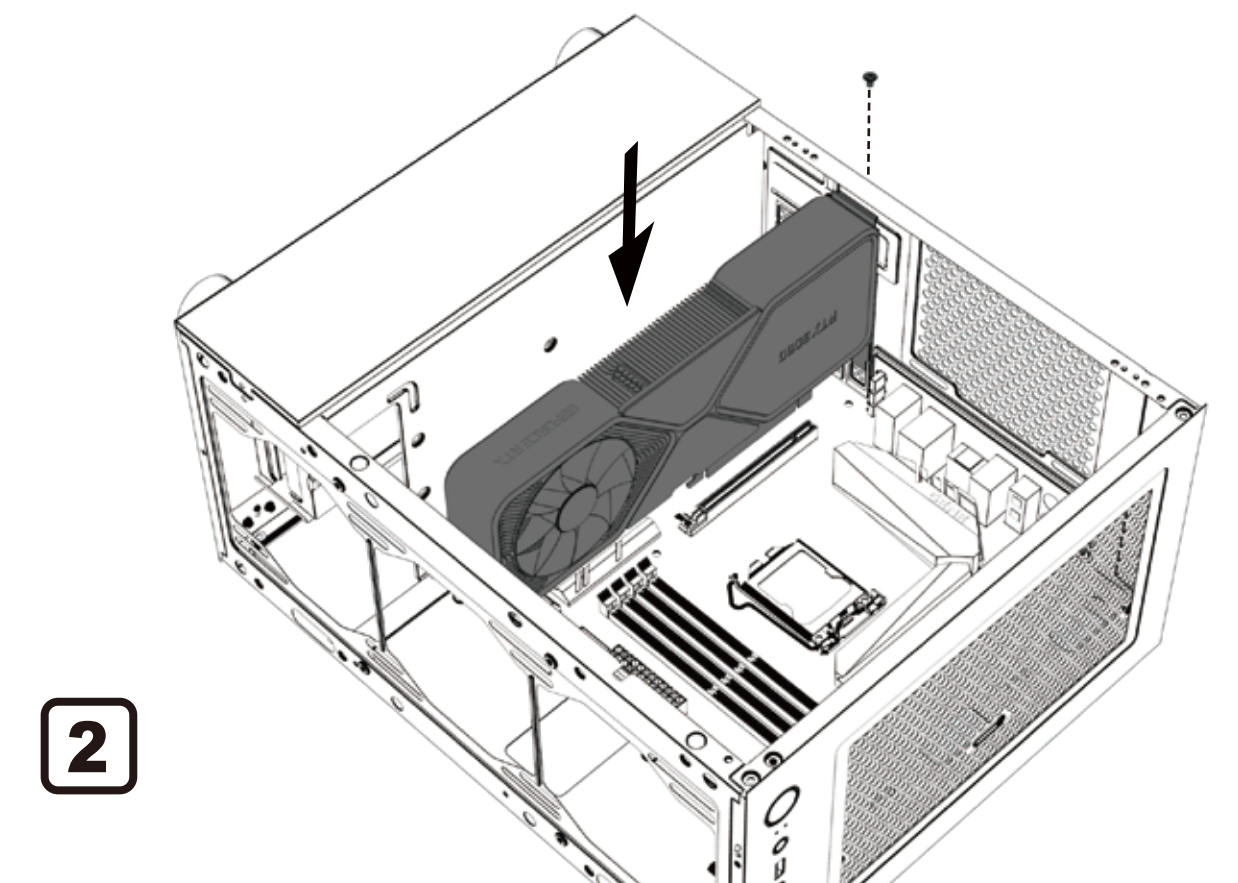
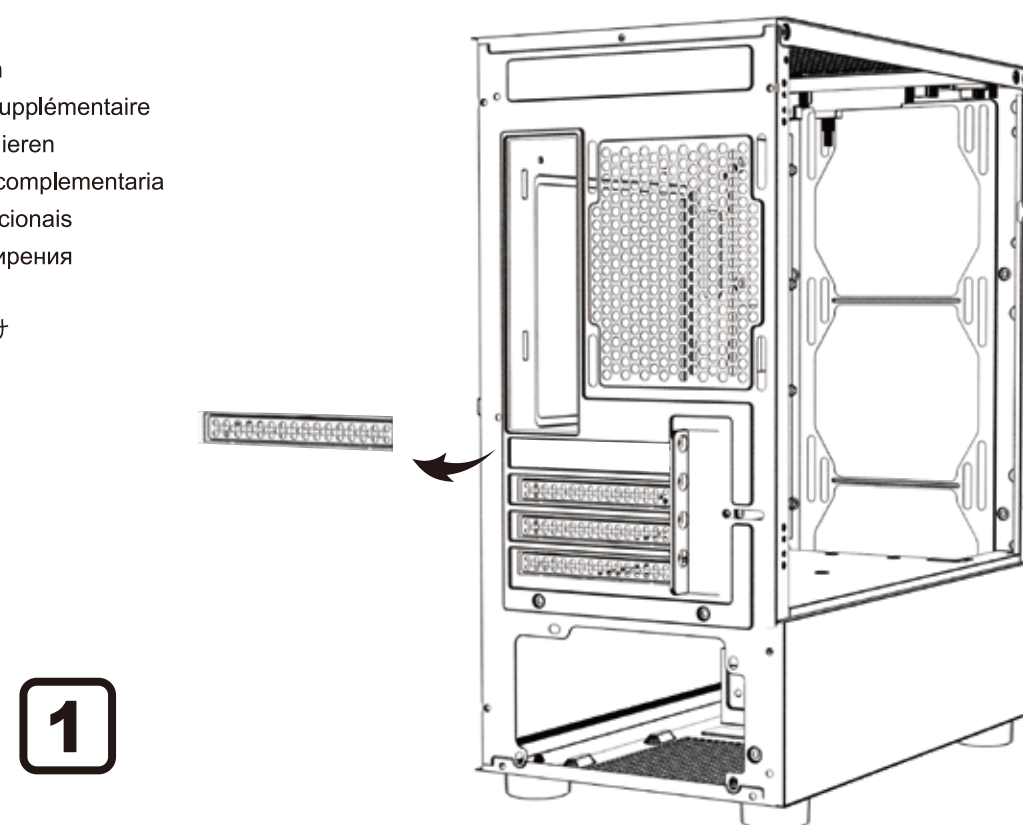
2 Motherboard Installation

- ▶ Motherboard Installation
- ▶ Installation de la carte mère
- ▶ Motherboard installieren
- ▶ Instalación de la placa base
- ▶ Instalação da placa principal
- ▶ становка материнской платы
- ▶ 安裝主機板
- ▶ マザーボードの取り付け



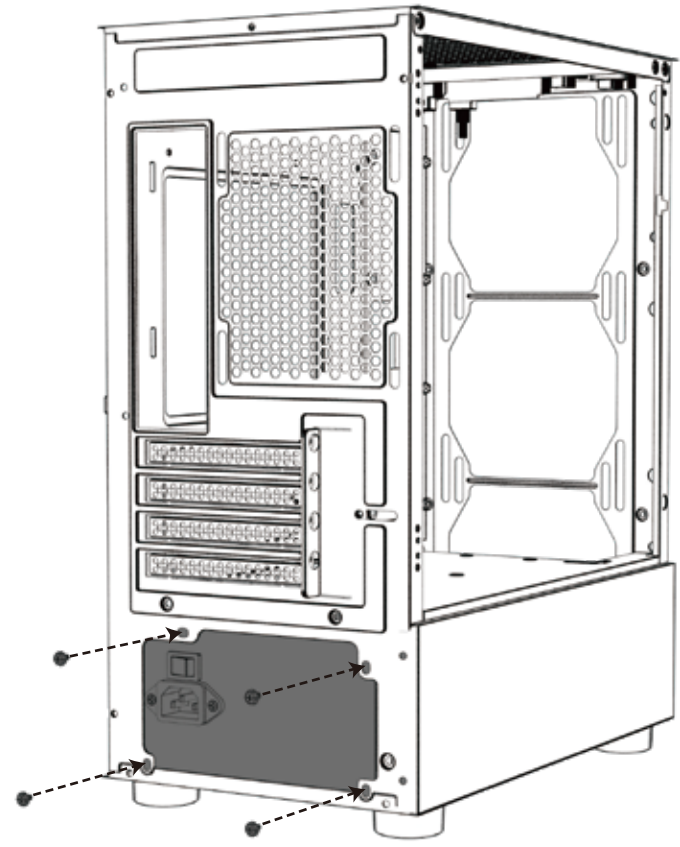
3 Add-On Card Installation

- ▶ Add-On Card Installation
- ▶ Installation d'une carte supplémentaire
- ▶ Erweiterungskarte installieren
- ▶ Instalación de la tarjeta complementaria
- ▶ Instalação de placas adicionais
- ▶ Установка платы расширения
- ▶ 安裝顯示卡/擴取卡
- ▶ アドオンカードの取り付け



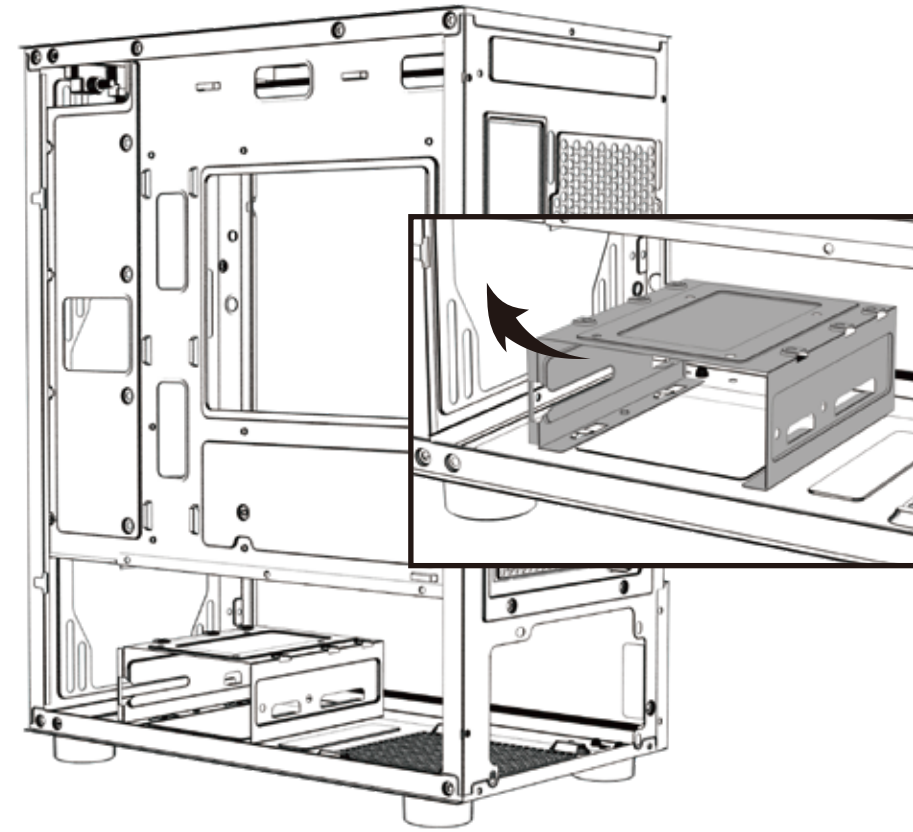
4 Power Supply Installation

- ▶ Power Supply Installation
- ▶ Installation de l'alimentation électrique
- ▶ Installation des Netzteile
- ▶ Instalación de la fuente de alimentación
- ▶ Instalação da fonte de energia
- ▶ Установка источника питания
- ▶ 電源供應器安裝
- ▶ 電源裝置的取り付け

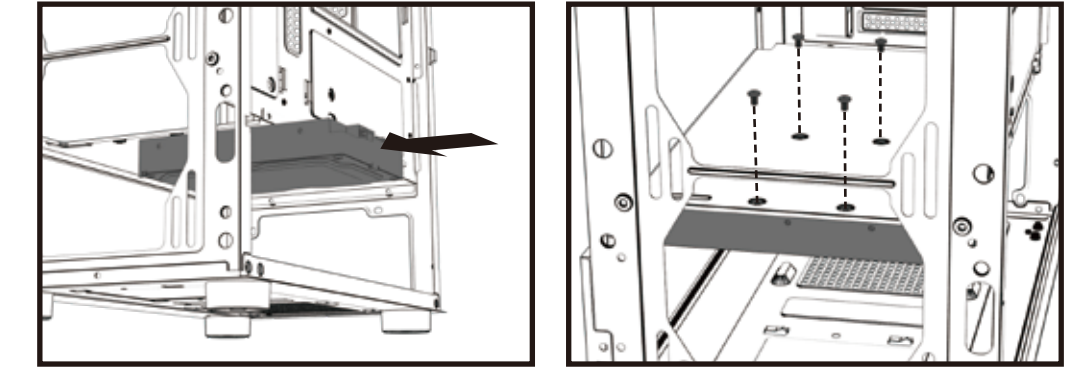


5 3.5" HDD Installation

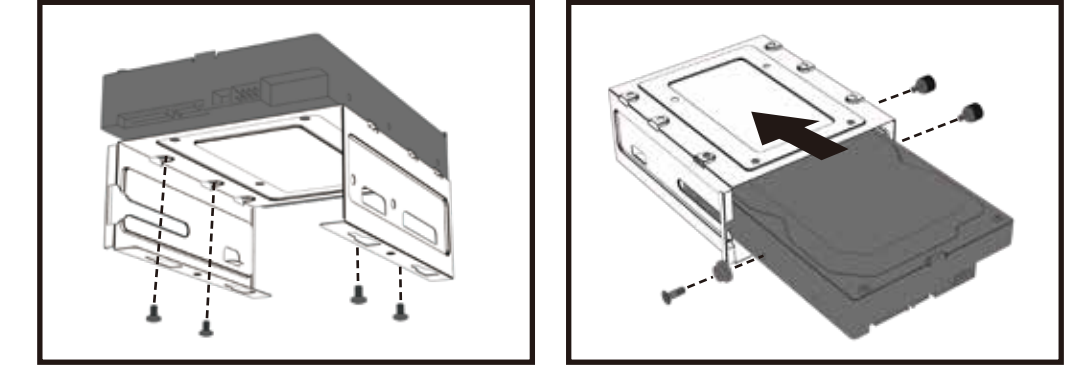
- ▶ 3.5" HDD Installation
- ▶ Installation d'un disque dur de 3,5"
- ▶ Installation d'un disque dur de 3,5"
- ▶ 3,5-Zoll-Festplatte installieren
- ▶ Instalación de la unidad de disco duro de 3,5"
- ▶ Instalação da unidade de disco rígido de 3,5"
- ▶ Установка жесткого диска 3,5 дюйма
- ▶ 安裝3.5吋硬碟
- ▶ 3.5英寸HDDの取り付け



A 3.5" HDD x1

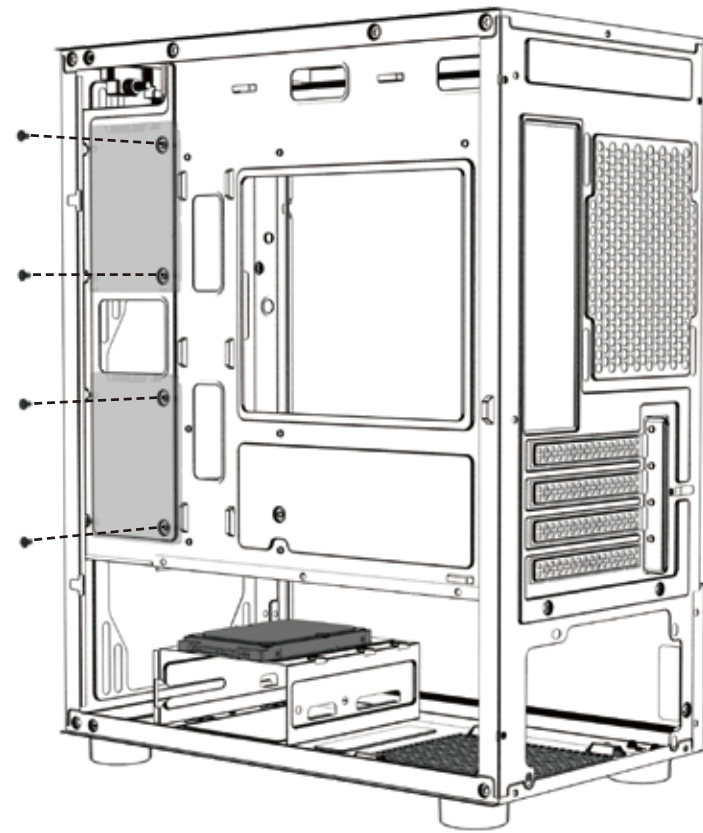
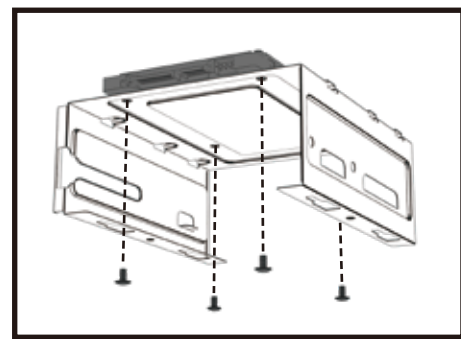


B 3.5" HDD x2



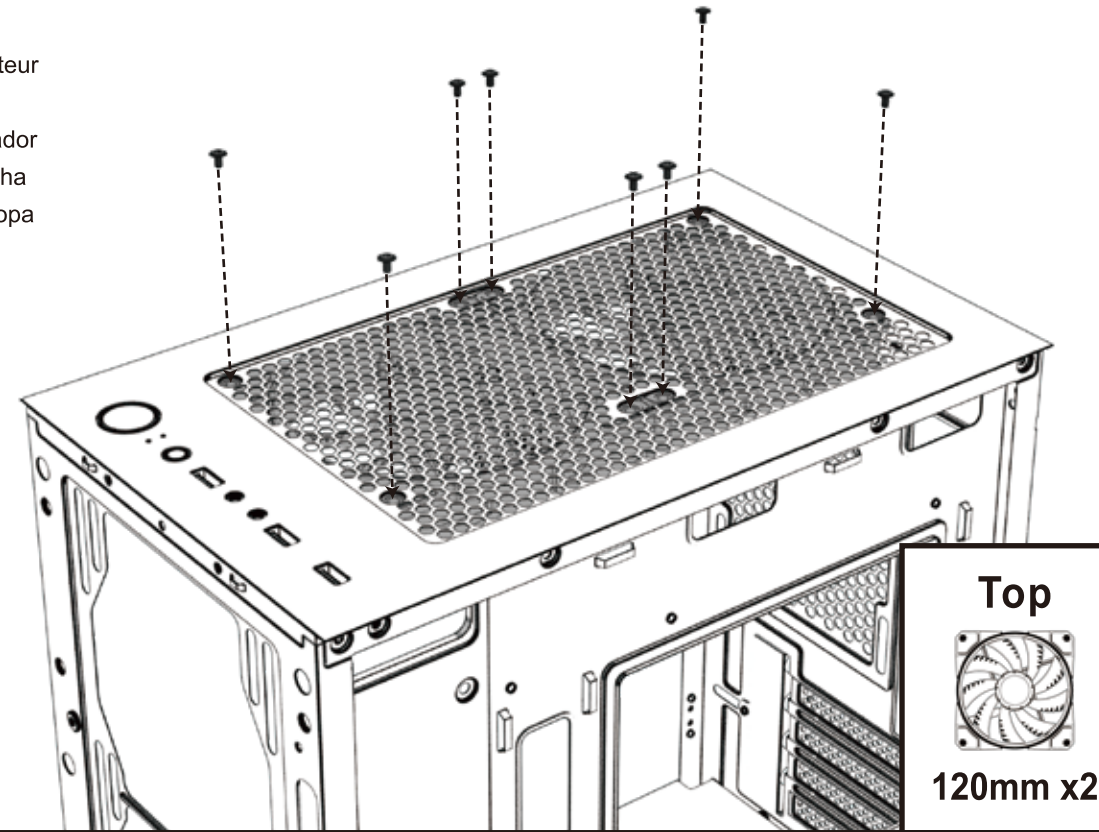
6 2.5" SSD Installation

- ▶ 2.5" SSD Installation
- ▶ Installation d'un SSD de 2,5"
- ▶ 2,5-Zoll-SSD installieren
- ▶ Instalación de la unidad de estado sólido de 2,5"
- ▶ Instalação do SSD de 2,5"
- ▶ Установка твердотельного накопителя 2,5 дюйма
- ▶ 安裝2.5吋硬碟
- ▶ 2.5英寸SSDの取り付け



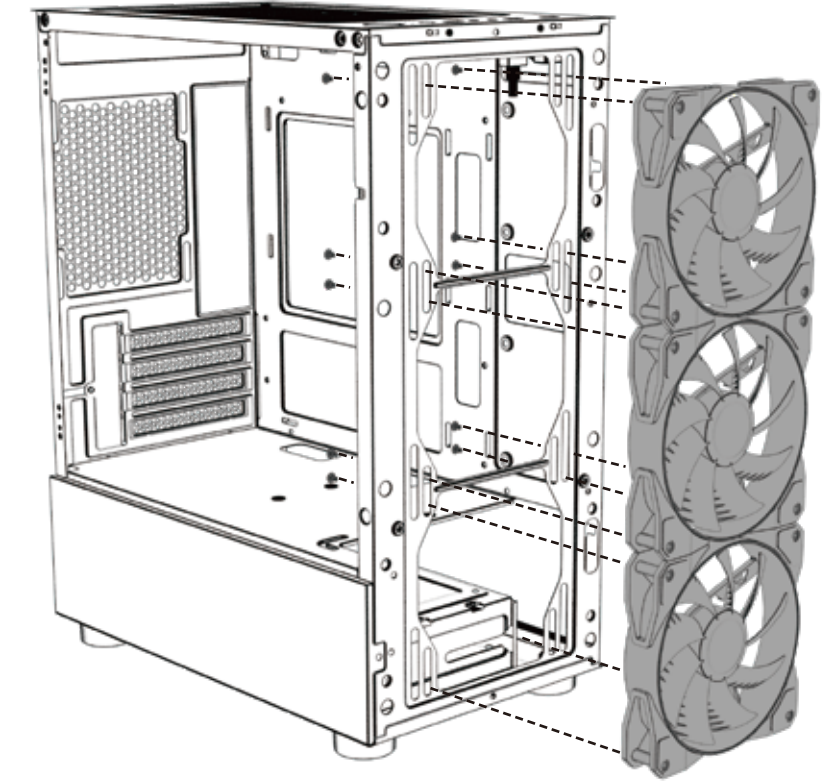
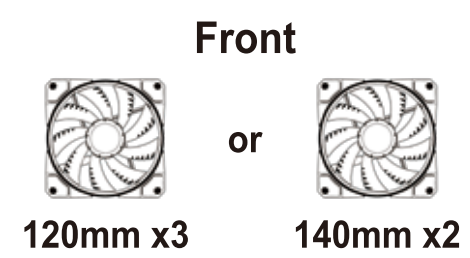
7 Top Fan Installation

- ▶ Fan Installation
- ▶ Installation du ventilateur
- ▶ Lüfter installieren
- ▶ Instalación del ventilador
- ▶ Instalação da ventoinha
- ▶ Установка вентилятора
- ▶ 安裝風扇
- ▶ ファンの取り付け



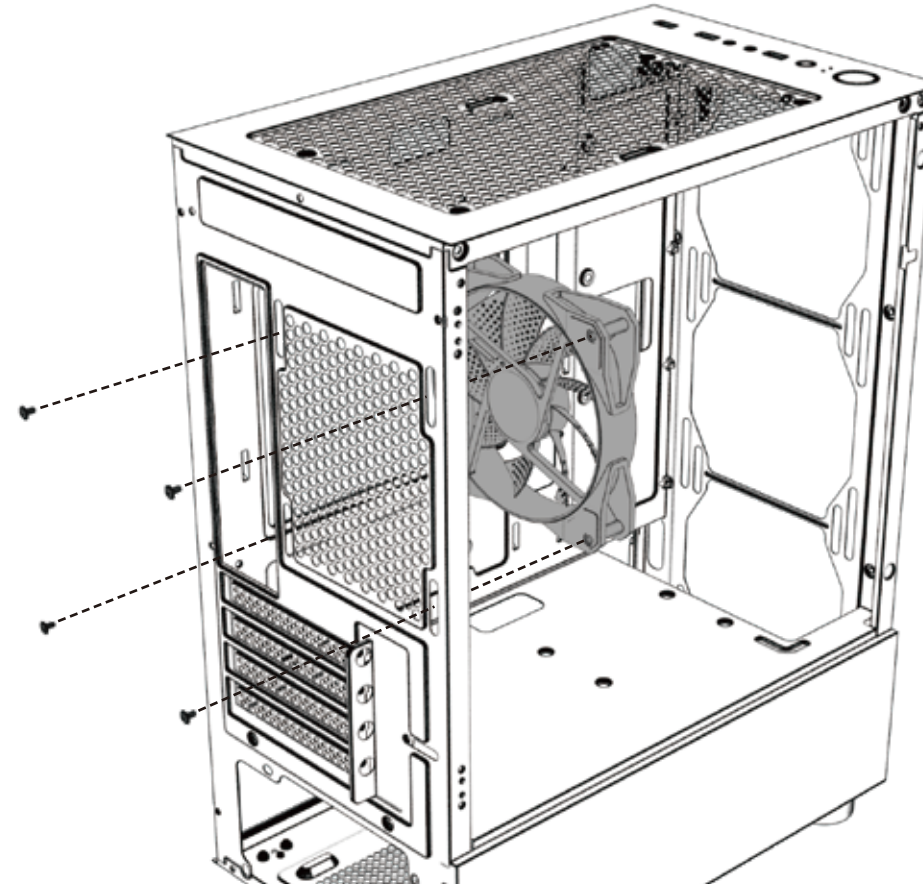
8 Front Fan Installation

- ▶ Fan Installation
- ▶ Installation du ventilateur
- ▶ Lüfter installieren
- ▶ Instalación del ventilador
- ▶ Instalação da ventoinha
- ▶ Установка вентилятора
- ▶ 安裝風扇
- ▶ ファンの取り付け



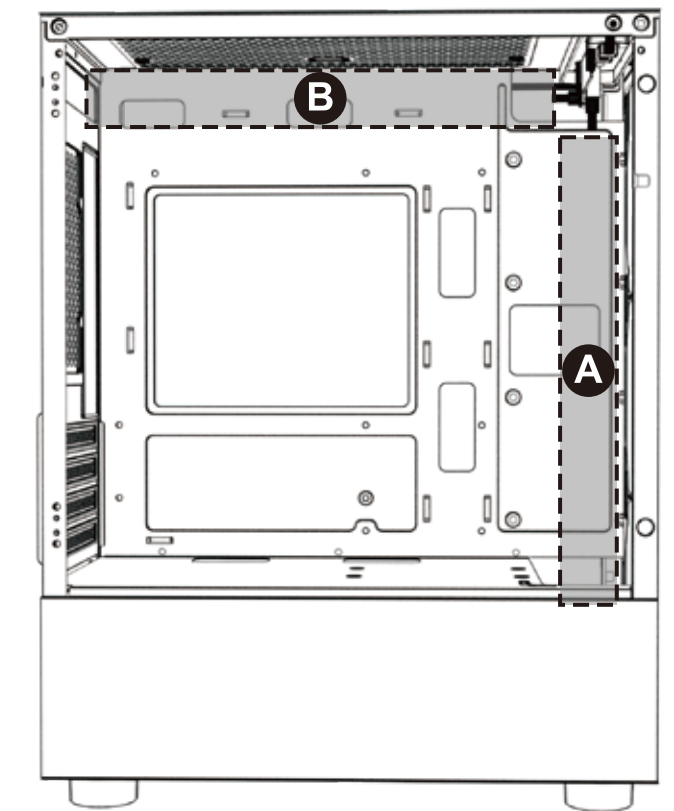
9 Rear Fan Installation

- ▶ Fan Installation
- ▶ Installation du ventilateur
- ▶ Lüfter installieren
- ▶ Instalación del ventilador
- ▶ Instalação da ventoinha
- ▶ Установка вентилятора
- ▶ 安裝風扇
- ▶ ファンの取り付け



10 Liquid Cooling Installation

- ▶ Liquid Cooling Installation
- ▶ Installation de refroidissement liquide
- ▶ Installation der Wasserkühlung
- ▶ Instalación de refrigeración líquida
- ▶ Instalação de refrigeração líquida
- ▶ Установка системы жидкостного охлаждения
- ▶ 液冷散熱安裝
- ▶ 水冷裝置的取り付け



EN PC Case

PT Gabinete de PC

FR Boîtier PC

RU Корпус ПК

DE PC-Gehäuse

CN PC機殼

ES Caja de PC

JP PCケース



XIGMATEK is Registered Trademark of Xigmatek Co., LTD.
© Copyright 2023-2027 All Rights Reserved



XIGMATEK Co., Ltd.

www.xigmatek.com
sales@xigmatek.com

Made in China

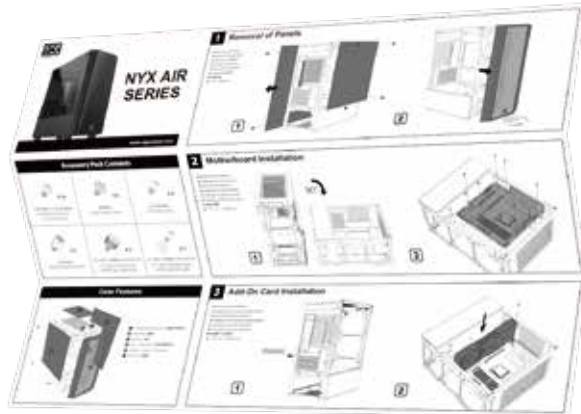


MANUAL 摺法(單色黑雙面印刷)

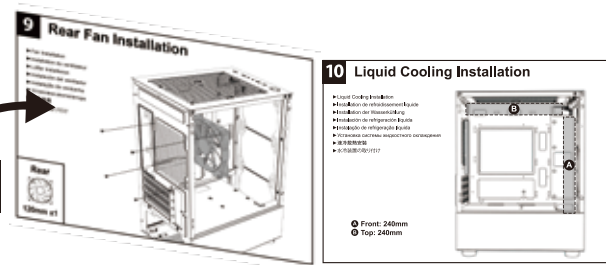
N+N摺 100P銅板印刷

尺寸：W594mm x H420mm (A2)

摺疊尺寸：W198mm x H140mm



- | | |
|-----------------|---------------------|
| [EN] PC Case | [PT] Gabinete de PC |
| [FR] Boîtier PC | [RU] Корпус ПК |
| [DE] PC-Gehäuse | [CN] PC機殼 |
| [ES] Caja de PC | [JP] PCケース |



XIGMATEK is Registered Trademark of Xigmatek Co., LTD.
© Copyright 2023-2027 All Rights Reserved
XIGMATEK Co., Ltd. www.xigmatek.com Made in China
sales@xigmatek.com CE RoHS



正面完成圖



背面完成圖

- | | |
|-----------------|---------------------|
| [EN] PC Case | [PT] Gabinete de PC |
| [FR] Boîtier PC | [RU] Корпус ПК |
| [DE] PC-Gehäuse | [CN] PC機殼 |
| [ES] Caja de PC | [JP] PCケース |

XIGMATEK is Registered Trademark of Xigmatek Co., LTD.
© Copyright 2023-2027 All Rights Reserved
XIGMATEK Co., Ltd. Made in China
www.xigmatek.com sales@xigmatek.com CE RoHS