

Thermaltake Core P3 TG Mid Tower

- **Style : Gaming**
- **Size : Mid-Tower supports up to ATX MB**
- **Material : Steel & Tempered Glass**
- **Main Feature**

- **Connection** : Front I/O ports with 2 x USB 3.0 & 2 x USB 2.0
- **Expansion** : 2+3 drive bays with modular drive trays design
- **Support** : Supports AIO and DIY liquid cooling solutions



Thermaltake Core P3 TG Mid Tower

•Specification

Model	Core P3 TG
P/N	CA-1G4-00M1WN-06
Case Type	Mid Tower
Chassis Dimension (H*W*D)	512 x 333 x 470 mm (20.2 x 13.1 x 18.5 inch)
Net Weight	11.3 kg / 24.91 lb
Side Panel	5mm Tempered Glass x 1
Color	Black
Material	SPCC
Drive Bays	
-Accessible	2 x 3.5" or 3 x 2.5" (Outside the chassis)
-Hidden	2 x 3.5" or 2.5" (Inside the chassis)
Expansion Slots	8
Motherboards	6.7" x 6.7" (Mini ITX), 9.6" x 9.6" (Micro ATX), 12" x 9.6" (ATX)
I/O Port	USB 3.0 x 2, USB 2.0 x 2, HD Audio x 1
PSU	Standard PS2 PSU (optional)
Fan Support	Left Side: 3 x 120mm 3 x 140mm
Radiator Support	Left Side: 1 x 360mm 1 x 420mm
Clearance	CPU cooler height limitation: 180mm VGA length limitation: 280mm (With Reservoir & Radiator) 450mm (Without Reservoir & Radiator) PSU length limitation: 200mm

•Packaging

EAN Code	4711246871748
UPC Code	841163001745
N.W	11.3 kg / 24.91 lb
G.W	13.2 kg / 29.1 lb
Carton Size (L x W x H)	549 x 186 x 557mm / 21.6 x 7.3 x 21.9 inch
Cuft	2.01
Container	w/o pallet
20'	495
40'	1023
40' HQ	1191

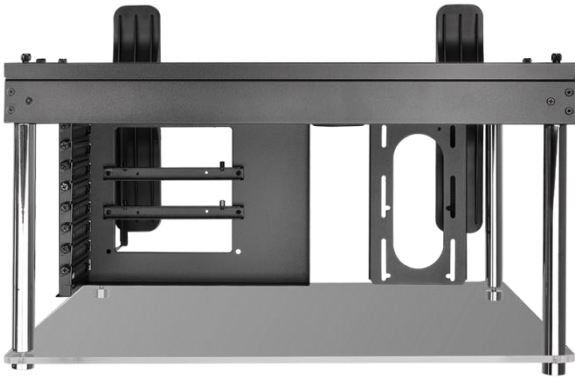
Thermaltake Core P3 TG Mid Tower

• Appearance

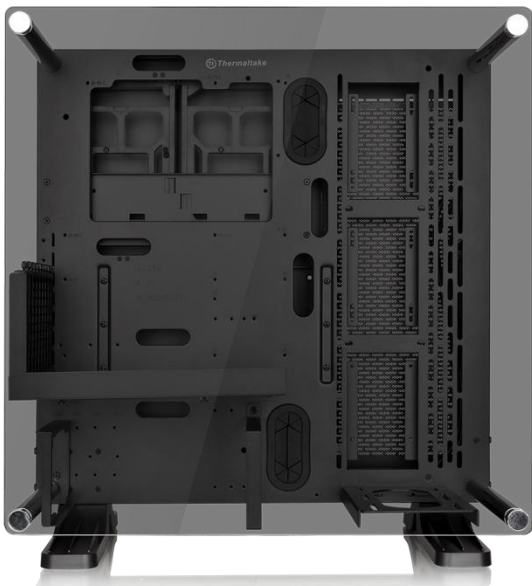


Thermaltake Core P3 TG Mid Tower

• Appearance



Top view



Left Side view



Front view



Bottom view

Thermaltake Core P3 TG Mid Tower

• Appearance



Left Side view (Extended VGA for ATX)



Left Side view (Direct VGA for ITX)



Thermaltake Core P3 TG Mid Tower

•Appearance



Right Side view (Without Side Panel)



Angle view



Right Side view



Rear view

Thermaltake Core P3 TG Mid Tower

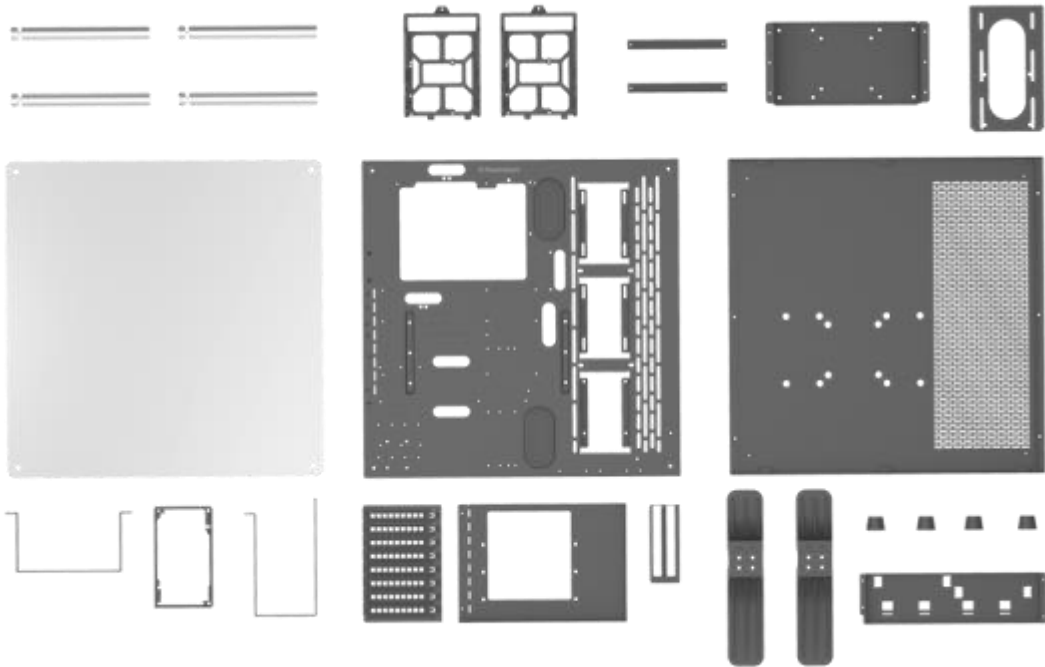
- **Unique Design**

Maximum radiator support
up to 42cm (14cm x 3)



Thermaltake Core P3 TG Mid Tower

• Unique Design



Full Modular Design

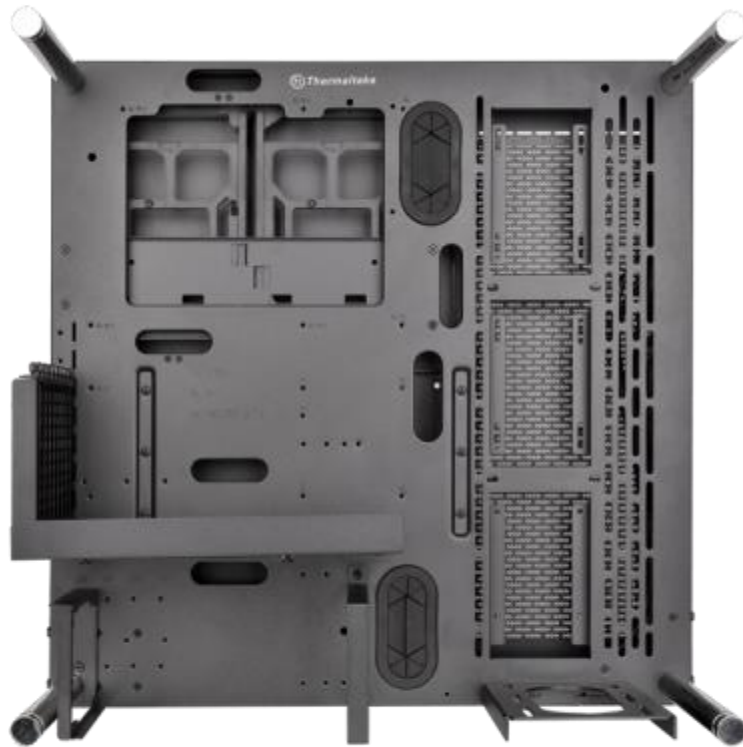


Full Acrylic window provide 180 degree viewing

Thermaltake Core P3 TG Mid Tower

- **Unique Design**

3-Way Installation Style



Wall-Mount placement



Vertical placement



Horizontal placement

Thermaltake Core P3 TG Mid Tower

• Structure (External)



Front control I/O panel



Side magnetic fan filter



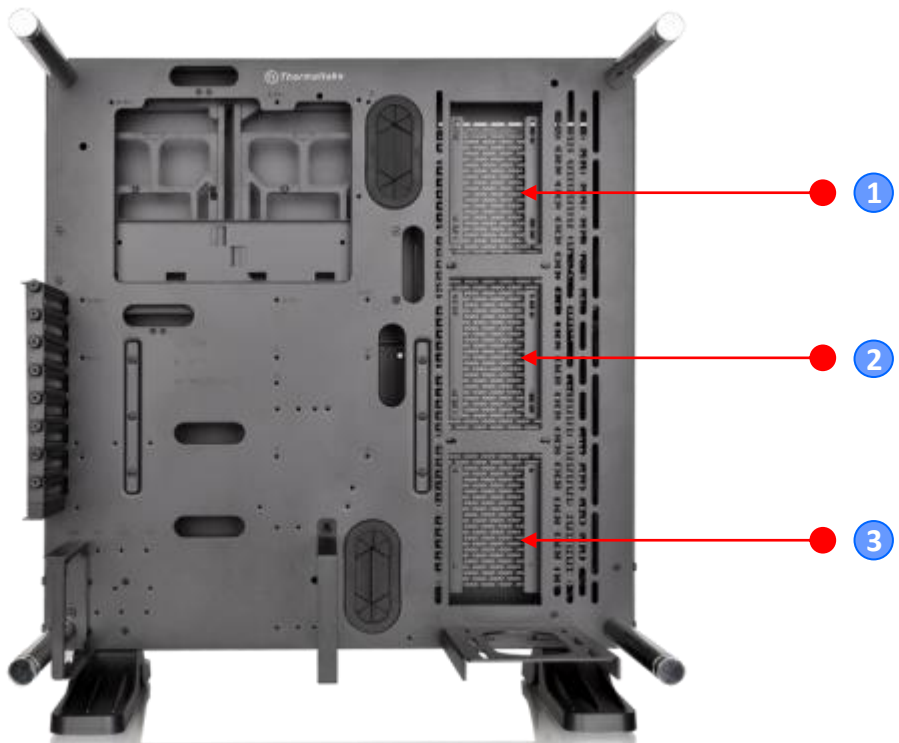
Built-in PCI Express Extender Cable



Adjustable PSU bracket

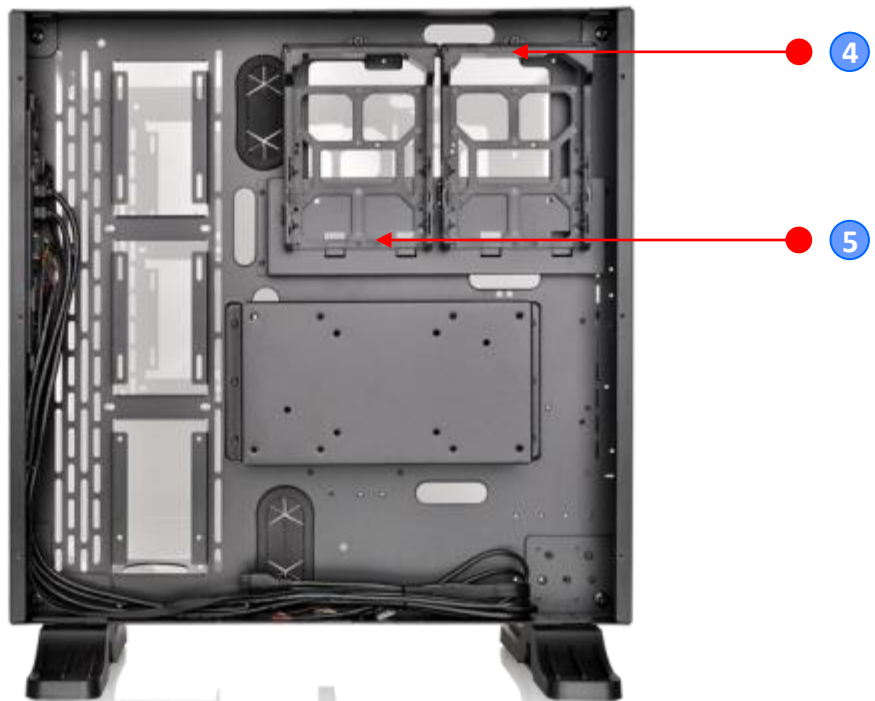
Thermaltake Core P3 TG Mid Tower

• Structure (Internal)



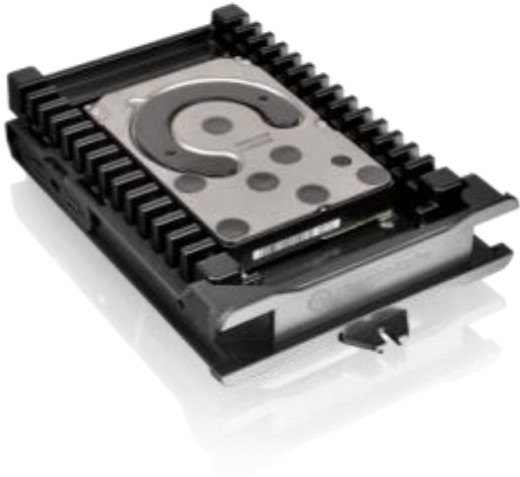
4 x 3.5" or

5 x 2.5" device



Thermaltake Core P3 TG Mid Tower

• Structure (Internal)



3.5" or 2.5" HDD drive compatible



Cable management space up to 45mm



Compatible with Wall-mount solutions

Thermaltake Core P3 TG Mid Tower

• The Cooling System – DIY Liquid Cooling (Optional)

Riing12



Left
2 x 120mm

Thermaltake Core P3 TG Mid Tower

- The Cooling System – AIO Liquid Cooling (Optional)

Riing12



Left
3 x 120mm

Thermaltake Core P3 TG Mid Tower

• The Cooling System – DIY Liquid Cooling (Optional)

L-Side

28cm x 1

L-Side

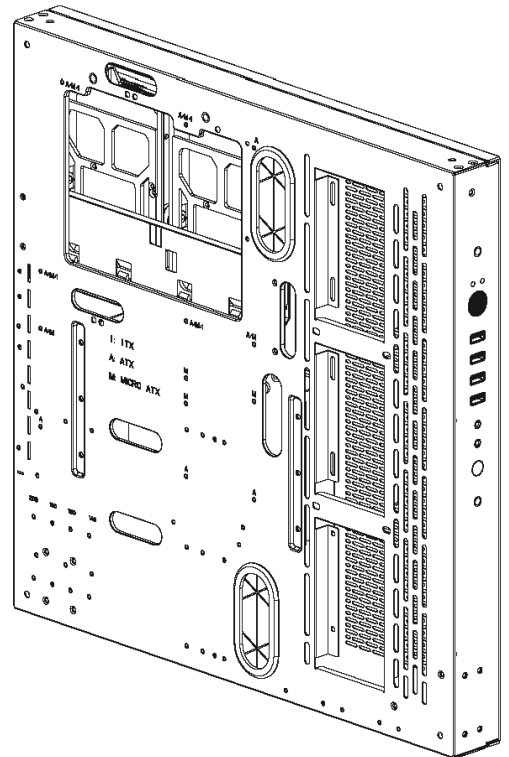
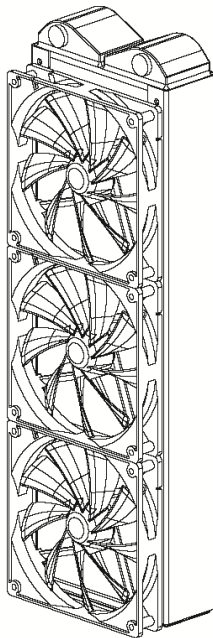
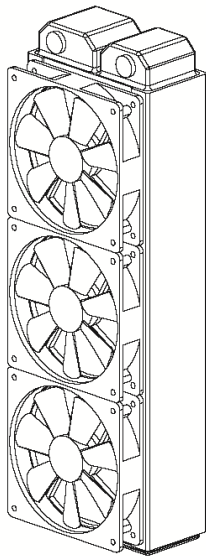
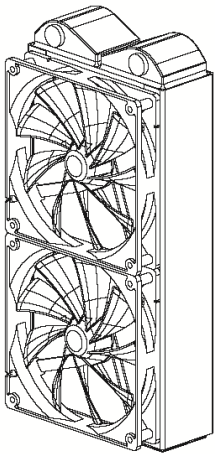
42cm x 1

Left

42cm

36cm

28cm



L-Side

36cm x 1

Thermaltake Core P3 TG Mid Tower

• Compatibility List

Fan Compatibility List		
	120mm	140mm
Left Side	3	3

Thermaltake Compatible Fan		
	120mm	140mm
PURE FAN Series	●	●
LUNA FAN Series	●	●
Riing FAN Series	●	●

Radiator Compatibility List						
	120mm	240mm	360mm	140mm	280mm	420mm
L-Side	●	●	●	●	●	●