



Assembly Demonstration

Gamdias Multifunction PC Gaming Chair



GAMDIAS

GAMING ART IN MOTION



APHRODITE | EF1
Multifunction PC Gaming Chair

Package Contents



Tool

A x20

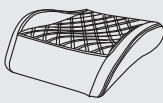
Base Support & Seat Back & Angle Adjuster Bolts

B x6

Black Screws for R/L Plastic Cover



Seat Back



Seat



Angle Adjuster (R)



Connector (L)



Head Pillow

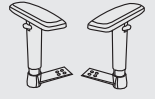


Lumbar Support Pillow

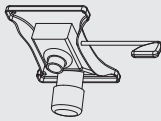


x5

Casters



Armrest



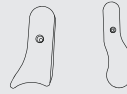
Mechanism Base Support



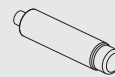
Plastic Cover (R)



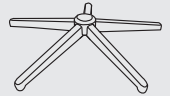
Plastic Cover (L)



Plastic Cover (L)

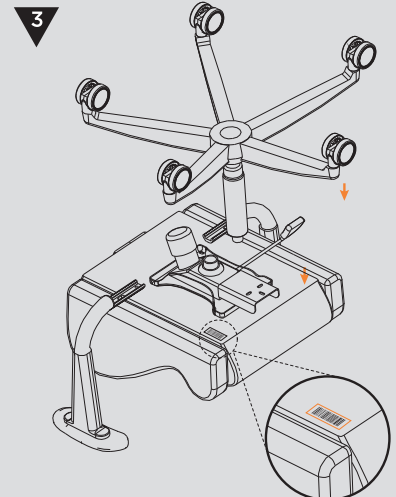
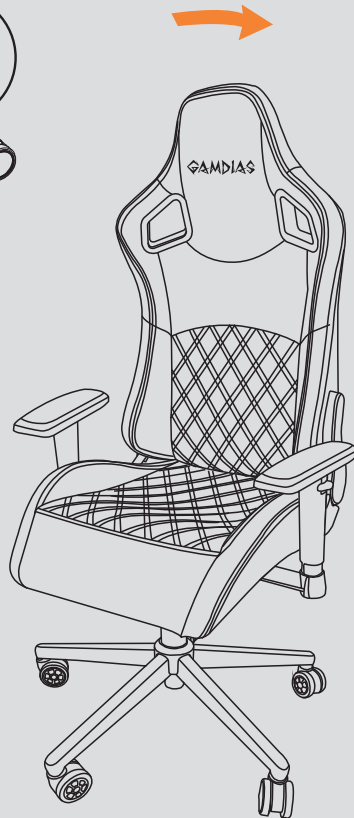
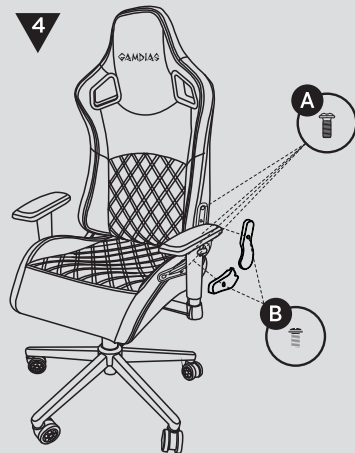
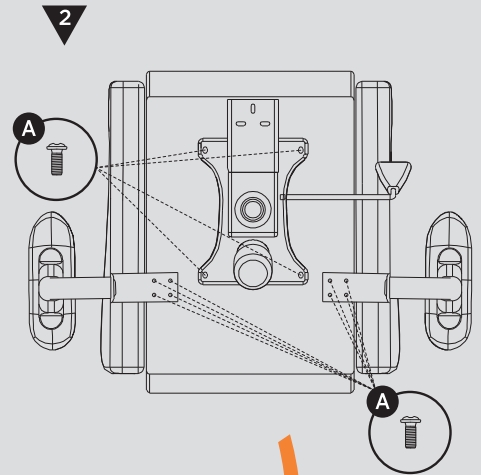
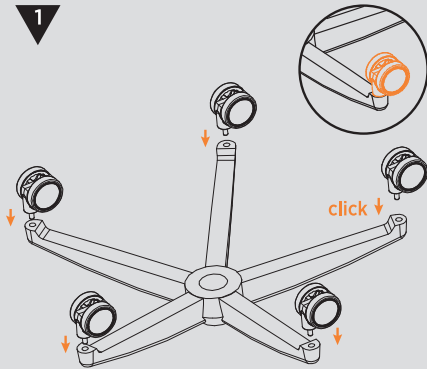


Gas Lift



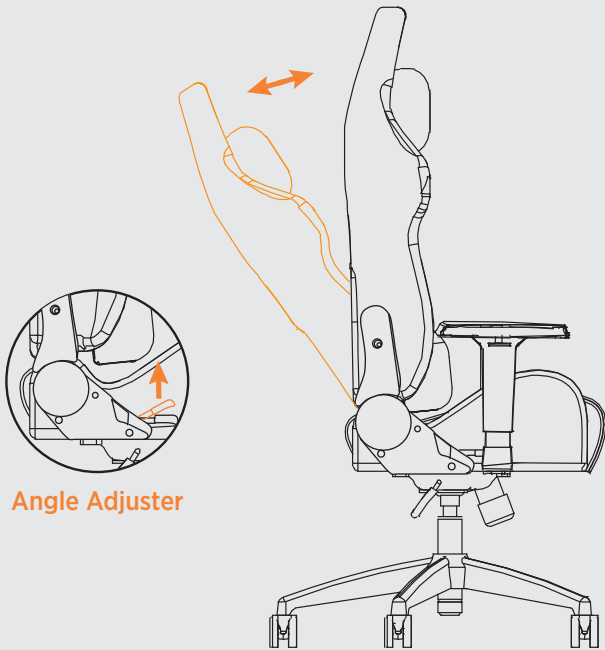
5 Star Base

Assembly Instruction



serial number

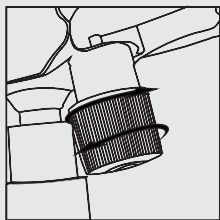
Please keep the **serial number** of your chair for service use when contacting us at gdservice@gamdias.com



Angle Adjuster



Height Lifting



Tilting



GAMDIAS Technology Co., Ltd. www.GAMDIAS.com
7F, No.113, Jian 2nd Rd., Jhonghe Dist., New Taipei City 23585, Taiwan (R.O.C.)

© 2019 GAMDIAS Technology Co., Ltd. All rights reserved. All GAMDIAS trademarks and logos are registered trademarks of GAMDIAS Technology Co., Ltd. All other trademarks and logos presented in this material are the property of their respective owners. GAMDIAS Technology Co., Ltd. reserves the right to revise the specifications mentioned on this packaging.

Designed by GAMDIAS in Taiwan, Made in China