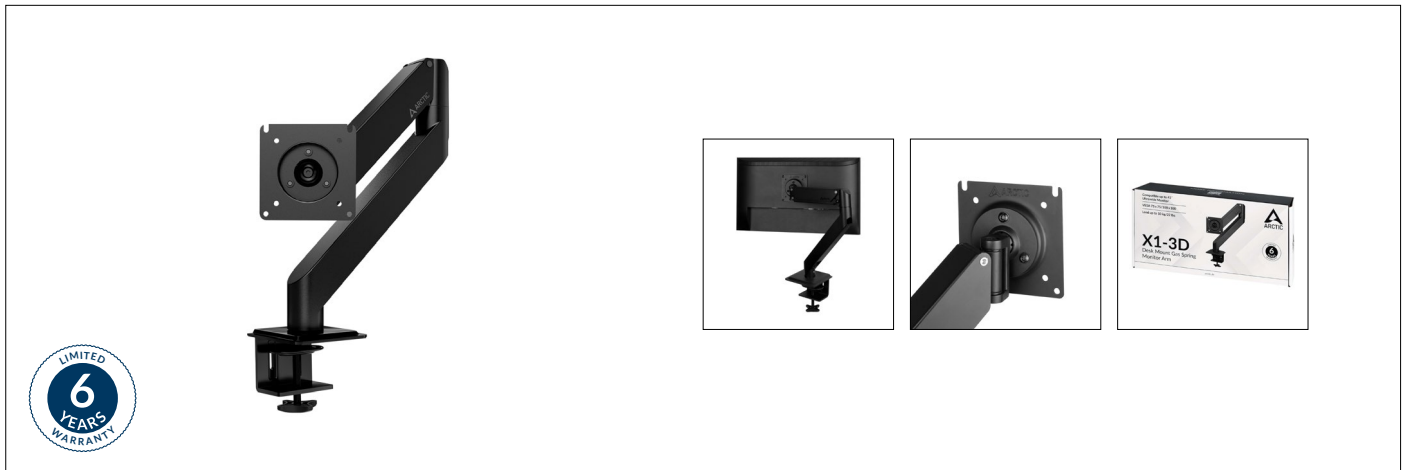


X1-3D

Desk Mount Gas Spring Monitor Arm



General Specifications

Supported Screen Size	≤ 40"/≤ 43" Ultrawide Monitor
VESA Standard	VESA 75 (75x75) VESA 100 (100x100)
Maximum Monitor Weight	10kg 22 lbs
Rotation	360°
Swivel	180°
Tilt	+/-15°
Minimum Height*	207 mm
Maximum Height*	525 mm
Table Thickness**	20-55 mm
Material	Steel, Aluminum Alloy ADC12, and Zinc Alloy
Weight	3.5 kg
Colour	Matt Black

*Distance between table and VESA head

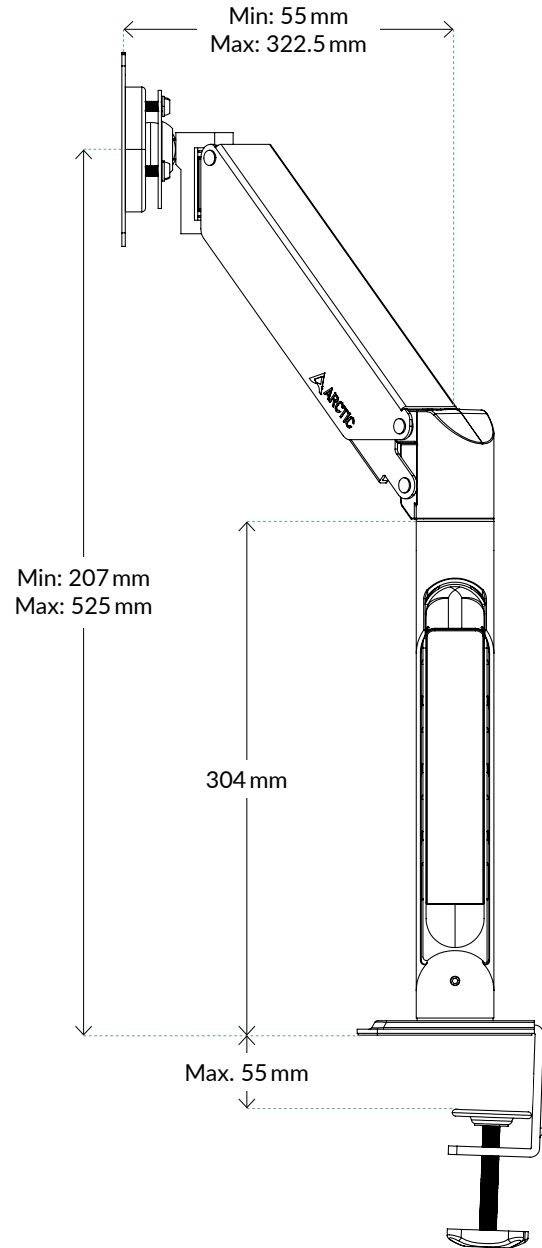
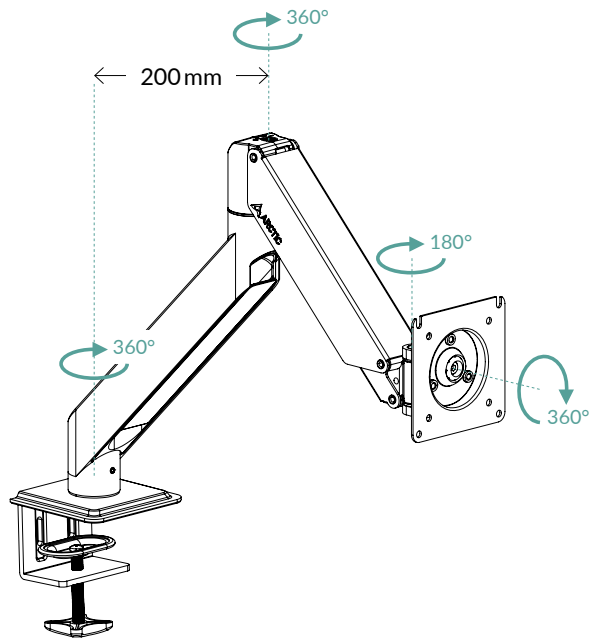
**For desks using a Honeycomb-structure or Sandwich-structure with hollow pockets, we recommend to add a stiffening board to prevent clamp damage on the table top.

Shipping Information

Box Dimensions	445 (L) x 228 (W) x 124 (H) mm
Gross Weight	3.925 kg
SKU	AEMNT00062A
EAN	4895213703598
UPC	840033401401
Package Content	X1-3D x1 Installation Kit x1

X1-3D

Desk Mount Gas Spring Monitor Arm



All materials are compatible with RoHS requirements.

MORE INFORMATION



MANUALS

