

Liquid Freezer II 420

Multi Compatible All-In-One CPU Water Cooler



General Specifications

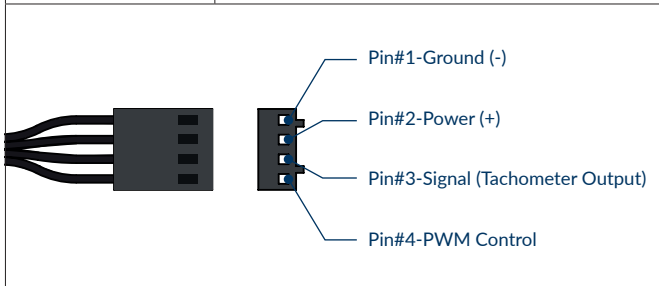
| | |
|----------------------|---|
| Socket Compatibility | Intel® 1200, 115X, 2011-3*, 2066* *Square ILM AMD® AM4, AM3(+) |
| Fan | 3 x 140 mm P14 PWM-Fan |
| TIM | ARCTIC MX-4 included |
| Noise Level | 0.4 Sone @ max. rpm |
| Dimensions | 148 mm (L) x 149.5 mm (W) x 166 mm (H) |
| Total Weight | 1977 g |

Tubing

| | |
|---------------|---|
| Material | Fiber Sleeved Rubber Tubing |
| Feature | Integrated Y-Splitter for Radiator Fans |
| Tube Length | 450 mm |
| Tube Diameter | Outer 12.4 mm Inner 6.0 mm |

Fan Specifications

| | |
|-----------------|-------------------------------------|
| Speed | 200-1700 rpm |
| rpm Control | Pulse Width Modulation |
| Noise Level | 0.3 Sone |
| Connector | 4-Pin Connector |
| Bearing | Fluid Dynamic Bearing |
| Current Voltage | 0.12 A/ 12 V DC |
| Static Pressure | 2.4 mm H ₂ O |
| Airflow | 72.8 cfm |
| Dimensions | 140 mm (L) x 27 mm (W) x 140 mm (H) |

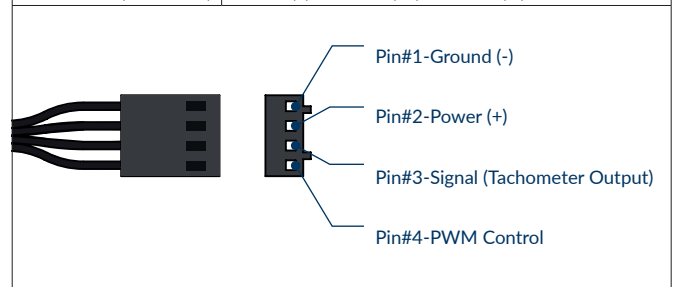


Radiator Specifications

| | |
|------------------------|-------------------------------------|
| Material | Aluminum |
| Dimensions (w/o tubes) | 458 mm (L) x 138 mm (W) x 38 mm (H) |

Pump/Cold Plate

| | |
|------------------------|--|
| VRM-Fan | 40 mm, 1000-3000 rpm (Controlled by PWM) |
| Pump | 800-2000 rpm (Controlled by PWM) |
| Power Consumption | 1.0 W-2.7 W (Pump and VRM Fan) |
| Cold Plate | Copper, Micro Skived Fin |
| Connector | 4-Pin Connector |
| rpm readout | Radiator Fan only |
| Dimensions (w/o tubes) | 78 mm (L) x 98 mm (W) x 53 mm (H) |

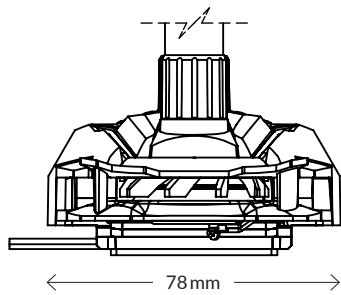
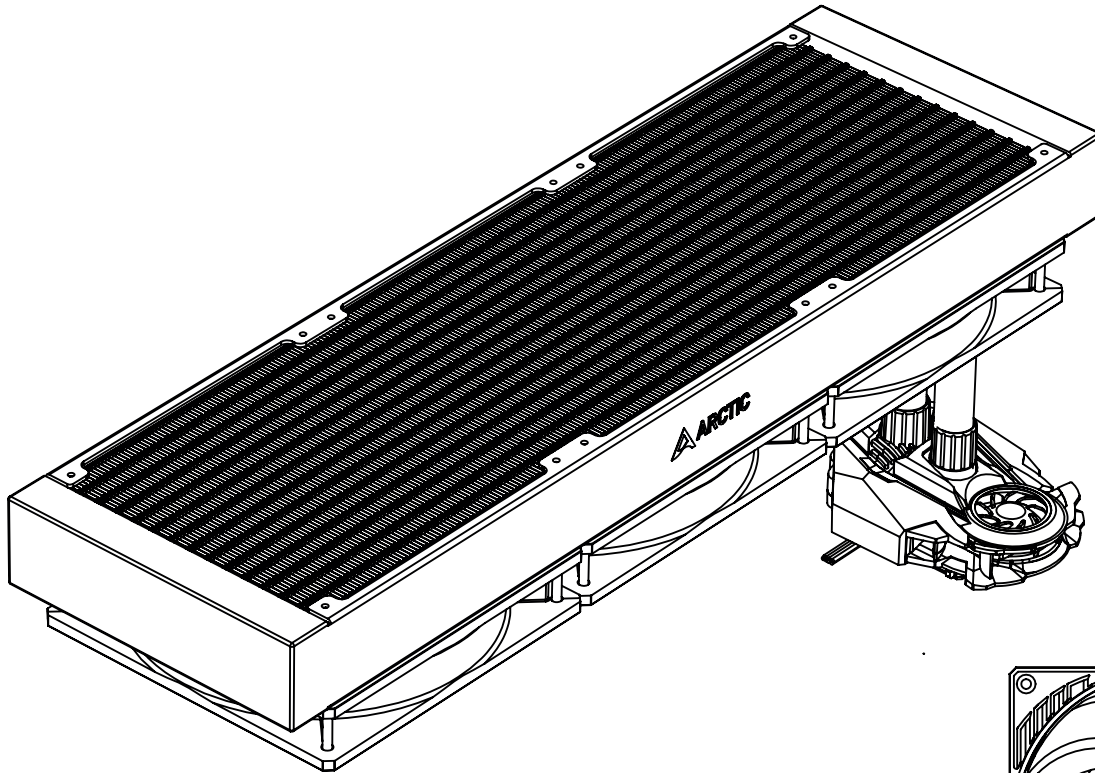


Shipping Information

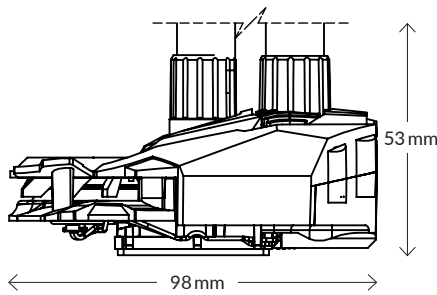
| | |
|----------------|--------------------------------------|
| Box Dimensions | 473 mm (L) x 155 mm (W) x 170 mm (H) |
| Gross Weight | 2728 g |
| SKU | ACFRE00092A |
| EAN | 4895213702812 |
| UPC | 840033400619 |

Liquid Freezer II 420

Multi Compatible All-In-One CPU Water Cooler

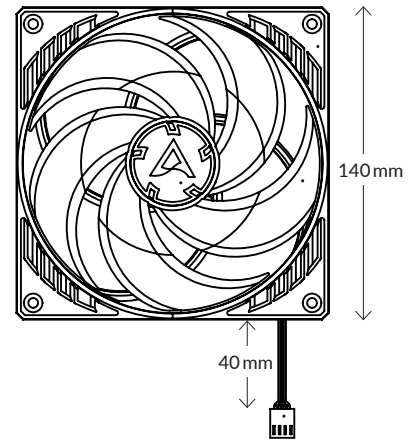


78 mm



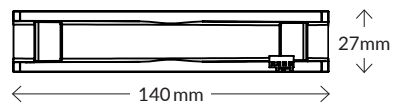
53 mm

98 mm



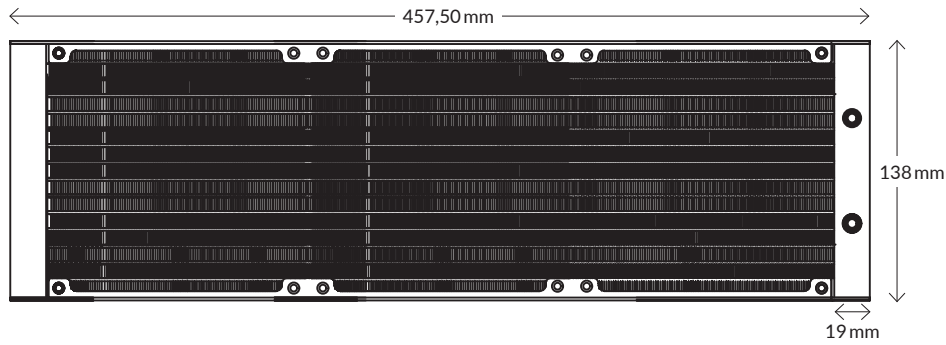
140 mm

40 mm



27 mm

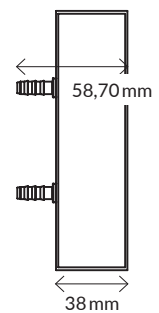
140 mm



457.50 mm

138 mm

19 mm



58.70 mm

38 mm



Product Information



Manual