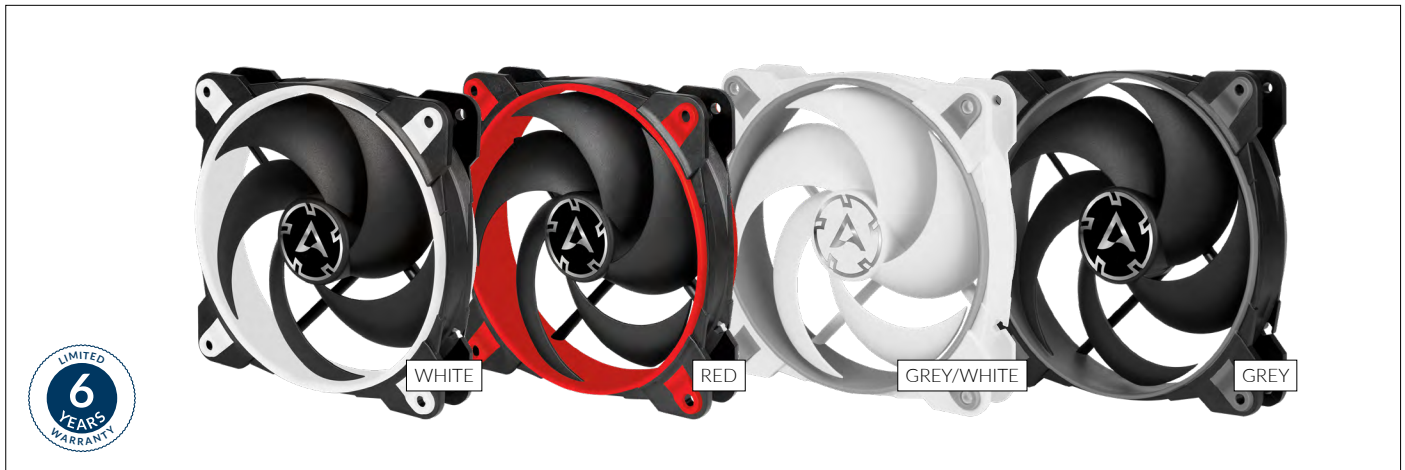


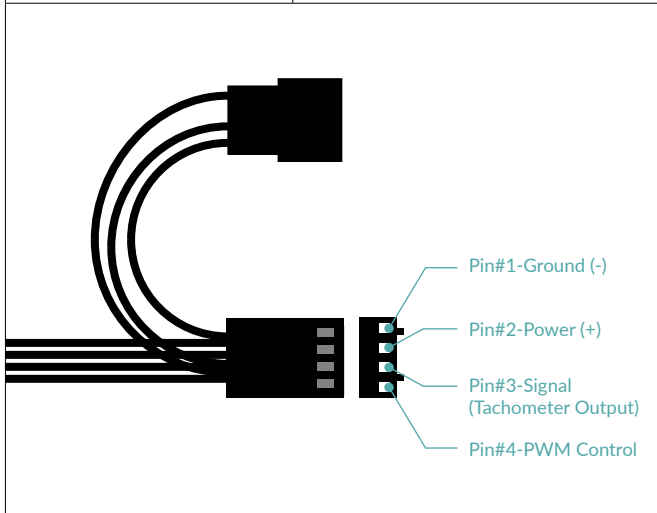
# BioniX P120

Pressure-Optimised 120 mm Gaming Fan with PWM PST



## Fan Specifications

Dimensions	120 (L) x 120 (W) x 27 (H) mm
Weight	140 g
Speed	200–2100 rpm, 0 rpm <5% PWM
rpm Control	Pulsweitenmodulation – PWM
Static Pressure	2.75 mmH <sub>2</sub> O
Airflow	67.56 cfm   114.9 m <sup>3</sup> /h
Bearing	Fluid Dynamic Bearing
Cable Length	400 mm
Connector	4-Pin Connector + 4-Pin Socket
Current   Voltage	0.13 A   12 V
Starting Voltage	4.3 V
Noise Level	0.45 Sone
Ambient Operating Temperature	0–40 °C



## Shipping Information Single Fan – White

Dimensions	125 (L) x 130 (W) x 34 (H) mm
Weight	175 g
SKU	ACFAN00116A
EAN	4895213701297
UPC	872767009257
Package Content	BioniX P120 x1 Mounting Screws x4

## Shipping Information Single Fan – Red

Dimensions	125 (L) x 130 (W) x 34 (H) mm
Weight	175 g
SKU	ACFAN00115A
EAN	4895213701266
UPC	872767009226
Package Content	BioniX P120 x1 Mounting Screws x4

## Shipping Information Single Fan – Grey/White

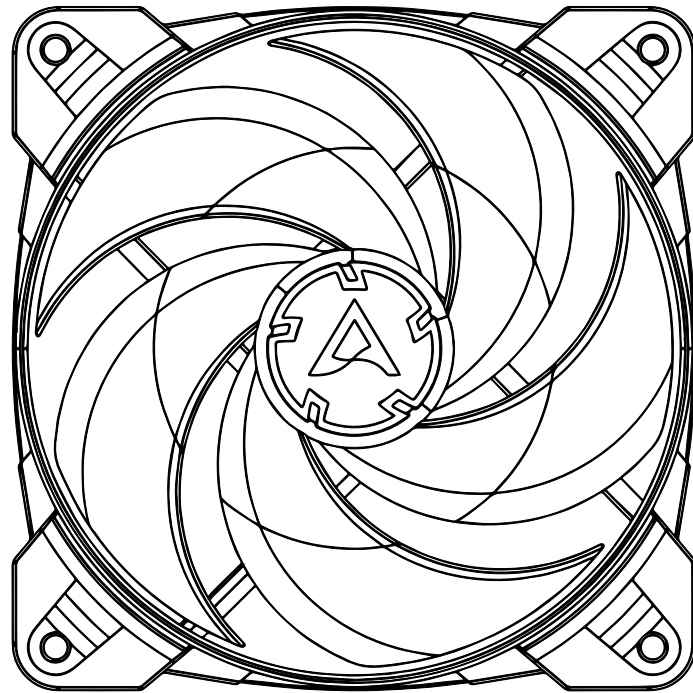
Dimensions	125 (L) x 130 (W) x 34 (H) mm
Weight	175 g
SKU	ACFAN00167A
EAN	4895213702195
UPC	840033400084
Package Content	BioniX P120 x1 Mounting Screws x4

## Shipping Information Single Fan – Grey

Dimensions	125 (L) x 130 (W) x 34 (H) mm
Weight	175 g
SKU	ACFAN00168A
EAN	4895213702225
UPC	840033400114
Package Content	BioniX P120 x1 Mounting Screws x4

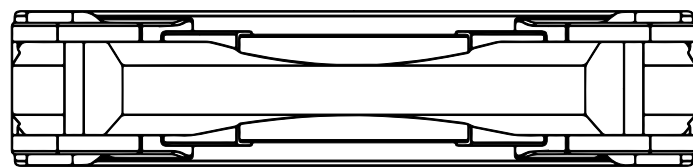
# BioniX P120

Pressure-Optimised 120 mm Gaming Fan with PWM PST



120 mm

120 mm

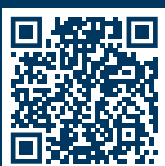


27 mm



All materials are compatible with RoHS requirements.

MORE INFORMATION



MANUALS

