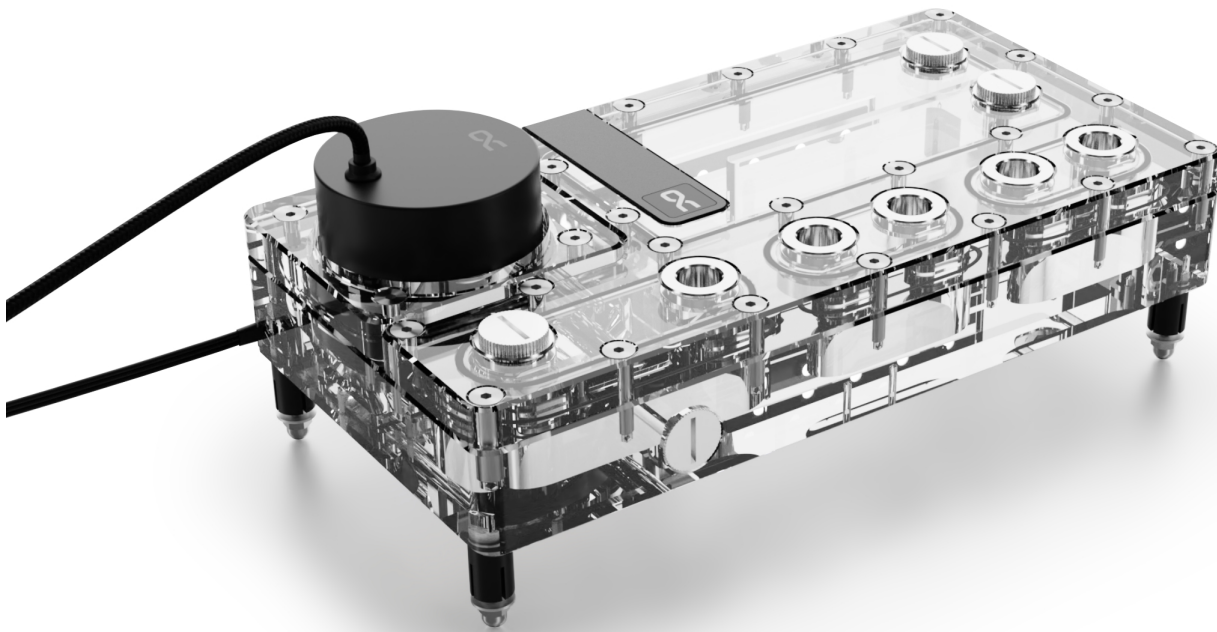


Alphacool Core Distro Plate 240 right with VPP Apex Pump

Alphacool article number: 15478

Download Center



Quick Info

The Core Distro Plate from Alphacool with VPP Apex pump is a must have for any costum water cooling system. It greatly simplifies the construction, planning and maintenance of complex water loops and due to the already pre-installed VPP Apex, no additional pump installation is necessary.

- VPP Apex pump included
- Transparent acrylic distro plate
- Multiple mounting options
- Brilliant digital aRGB illumination
- Features a total of 8 G1/4" ports

Compatibility

- Can be mounted on the radiator or panel

Scope of delivery

1x 240 Distroplate	3x Screw Plug
1x VPP Apex Pump	6x Core Push Mount Set
1x M4 Allen Key	1x ARGB Adaptor

Technical data Distro Plate

Dimensions (L x W x H)	240,00 x 125,00 x 42,00 mm
Dimensions (L x W x H) with pump	240,00 x 125,00 x 61,00 mm
Dimensions (L x W x H) with push mounting	240,00 x 125,00 x 72,80 mm
Dimensions (L x W x H) with pump + push mounting	240,00 x 125,00 x 88,80 mm
Material	Acrylic
Volume	164ml
Pump compatibility	VPP/D5
Threads	8x G1/4" inner thread / 1x drain port
Maximum working temperature	60 °C
Pressure tested	0,8 Bar
Quantity digital aRGB LEDs	12
Power digital aRGB LEDs	5V
Power connection digital aRGB LEDs	3-Pin JST + 3-Pin 5V
Weight	1260g
Weight with pump	1536g
Color	transparent

Technical data pump

Dimensions (Distro Plate with pump) (L x W x H)	240 x 125 x 93,31mm
Material pump	synthetic material
Material pump cover	aluminium
Material axle	ceramics
Connections	4-Pin PWM SATA
Rotational speed	2500 - 4500 RPM
Cable lengths	4-Pin PWM - 48cm SATA - 48cm
Operating voltage	8-13V DC / 14W IP32
Starting voltage	12V DC
Maximum pumping head	4,25m
Maximum flow rate	340L/h
Maximum working temperature	60°C
Weight	276g
Color	black

Download links

Manual	15478_Alphacool_Core_Distro_Plate_240_right_with_VPP_Apex_Pump_Manual.pdf
Product pictures	15478_Alphacool_Core_Distro_Plate_240_right_with_VPP_Apex_Pump_pics.zip

Packaging dimensions per unit

L x W x H	305 x 140 x 100 mm
Weight	1840 g

Other data

Certificates	CE, FC, RoHS
EAN	4250197154789
Customs code	84733080000
Guarantee	3 years

Article text

The Core Distro Plate from Alphacool with VPP Apex pump is a must have for any custom water cooling system. It greatly simplifies the construction, planning and maintenance of complex water loops and due to the already pre-installed VPP Apex, no additional pump installation is necessary.

Core Design

A core element of Alphacool's Core Design series are the chrome-plated, brass G1/4" connectors. With the Core Distro Plate, the ports are recessed instead of screwed into a thread as is usually the case. This allows Alphacool to overcome the problem of potential leakage due to cracking by screwing the connectors directly into the acrylic. The connectors are made of two parts, have an O-ring and counter each other when mounted in the acrylic. This not only ensures absolute leak proofing of each connector, but also allows for the clean and functional look of Alphacool's Core Design series.

Easy installation

Using the included Core Push Mounting kit, the Distro Plate can be mounted on the case panel or on a radiator. To do this, the metal pins are attached to the radiator or the panel of the PC case and the matching female sockets are attached to the Distro Plate (see manual). The next assembly step is to simply push the Distro Plate onto the pins without the need for any tools. Alphacool's push-mounting allows for a tight fit of the Distro Plate on the case panel or radiator and allows for easy removal for maintenance or expansion projects.

Gamechanger

It has an integrated reservoir as well as a VPP Apex pump and is offered as a 240mm or 360mm variant, each with left or right positioning of the pump top. This makes the Core Distro Plate ideal for custom water loops where CPU and graphics card(s) are to be cooled simultaneously. Due to the arrangement of the G1/4" connections, complicated tubing paths will be a thing of the past in the future. There is an additional drain port on the side, with which the Distro Plate can be drained easily and comfortably.

High-quality material selection & brilliant illumination

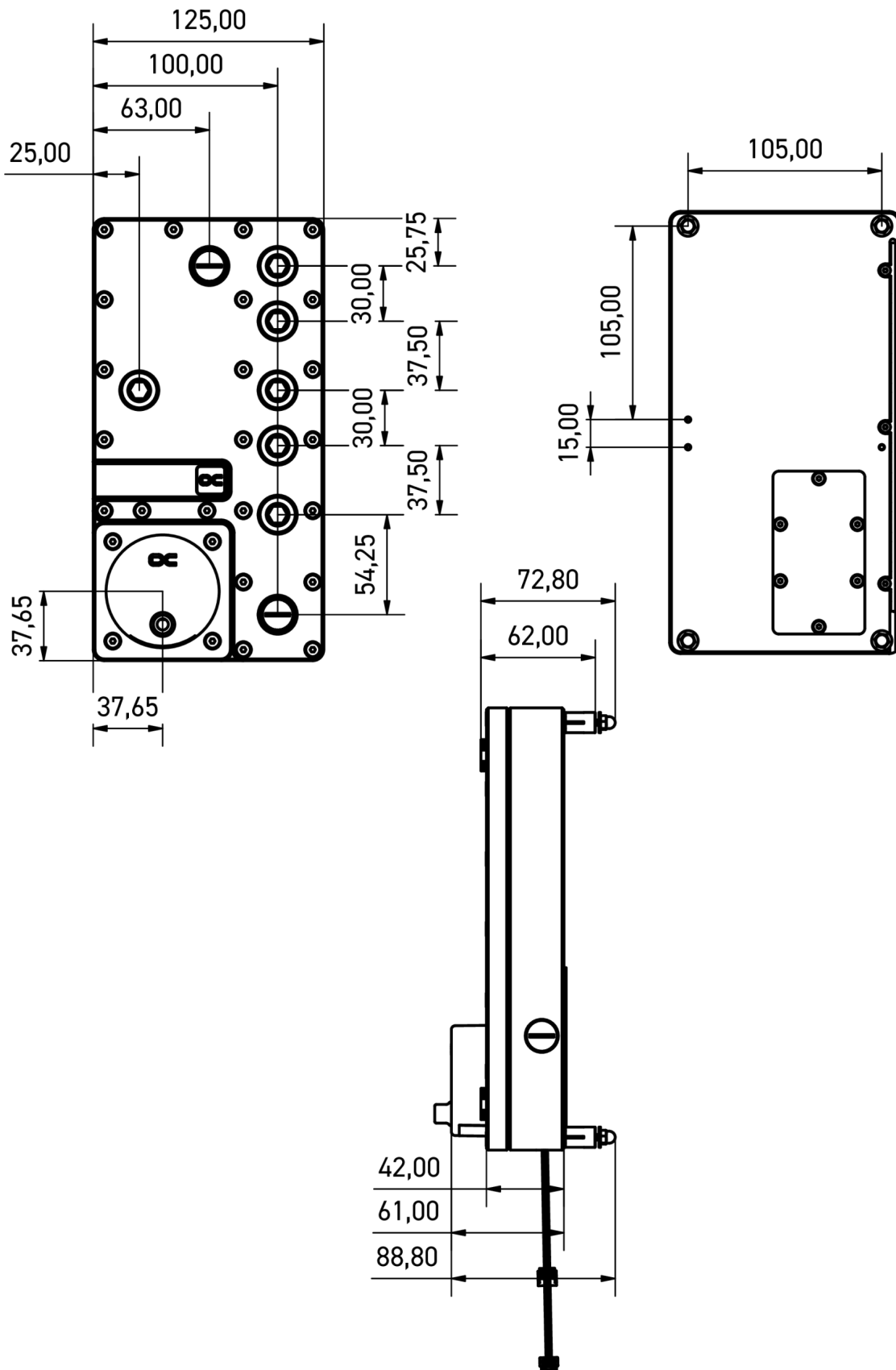
Alphacool's Core Distro Plate is made of high-quality acrylic. This allows an unobstructed view of the coolant and enables brilliant illumination from the built-in digitally addressable aRGB LEDs. The lighting can be controlled via a digital aRGB header on the mainboard or optionally by Alphacool's Aurora Eiscontrol aRGB controller (item no.: 15360).

The pump

Alphacool's Apex VPP doesn't use a spherical bearing and relies on a ceramic axle. The motor's coils have been moved from the inside to the outside. These changes have the effect that the pump is fundamentally more stable and smoother running, and any vibrations that arise have been significantly reduced. Another positive side effect is that power consumption has been almost halved as a result.

Control

The Apex VPP pump has a 4-pin fan connector that connects to the motherboard or to an external controller. This allows you to control the speed range of the pump via PWM and read out the RPM signal. The pump is connected to the power supply using a SATA connector.



General tolerance: $\pm 0,25$ mm
Dimension in millimeter